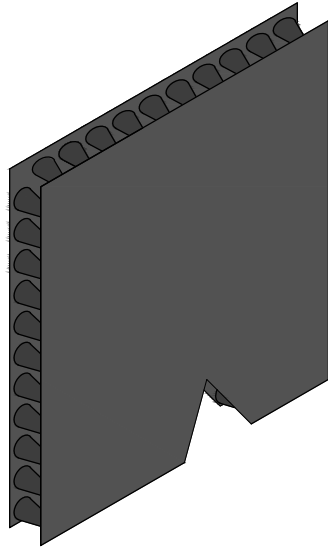


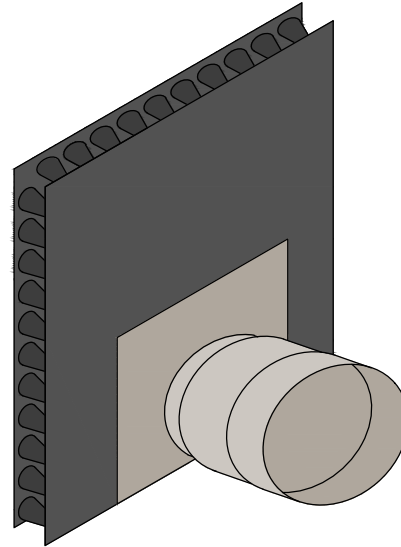
TREMDRAIN, AS SPECIFIED

UNDERGROUND RATED TAPE
BY OTHERS

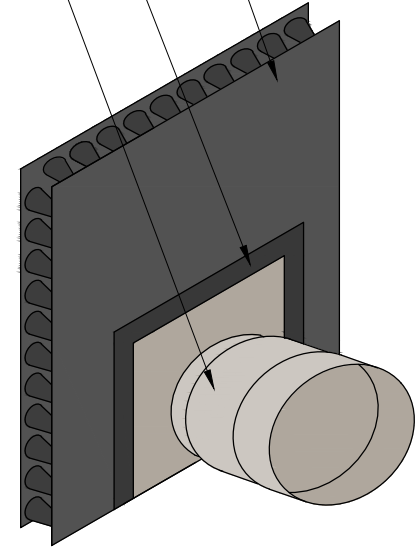
UNIVERSAL TEE



STEP 1: USING A RAZOR KNIFE, CUT A "V" NOTCH APPROX. 3" WIDE AND 4" HIGH IN BOTTOM PORTION OF TREMDRAIN.



STEP 2: INSERT FITTING OVER "V" NOTCH.



STEP 3: TAPE AND ENSURE ALL EDGES ARE SECURED WITH TAPE TO PREVENT SOIL INTRUSION.

The architecture, engineering, and design of the project using the Tremco products are the responsibility of the project's design professional. All products and systems must comply with local building codes and standards. This detail is for general information and guidance only and Tremco specifically disclaims any liability for the use of this detail. The project design professional determines, in its sole discretion, whether this detail or a functionally equivalent detail is best suited for the project. This detail is subject to change without notice. Contact Tremco to ensure you have the most recent version.

TREMDrain



Tremco Technical Support: 866-209-2404

Detail: TREMDrain Universal Tee

Drawn by: HDE

Checked by: WH

Scale: NTS

Date: 5/25/2022

File Name:

TD-A-UT-01



Construction Products Group

www.tremcocpg.com