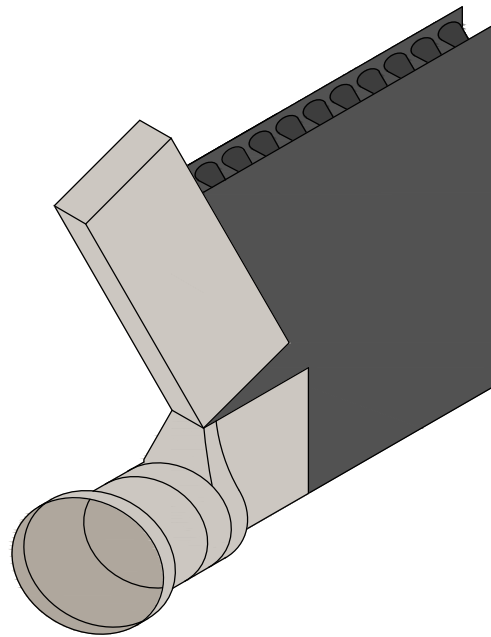


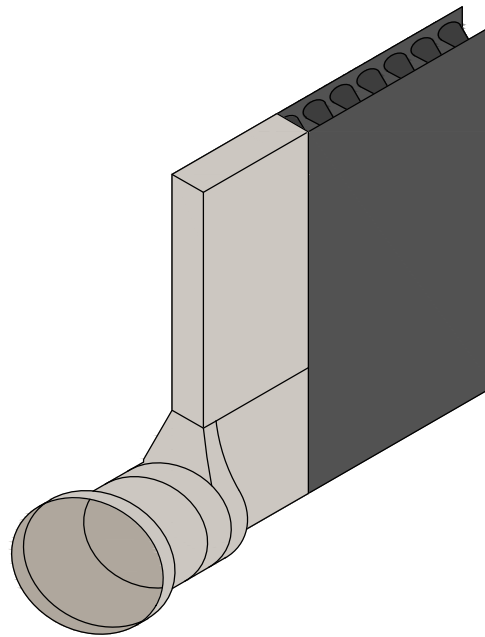
TREMDRAIN, AS SPECIFIED

UNDERGROUND RATED TAPE
BY OTHERS

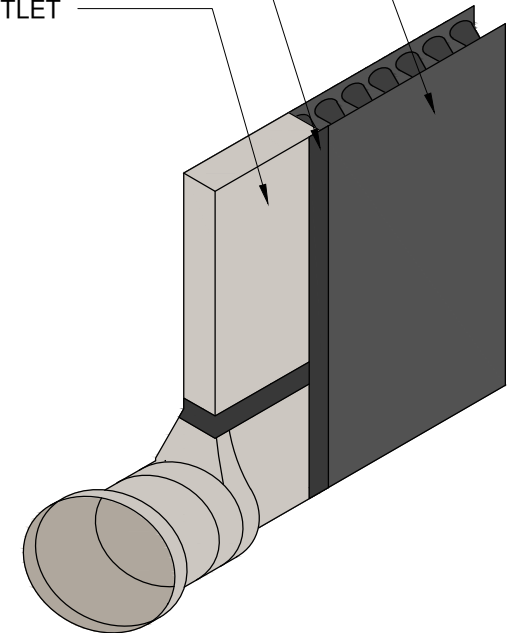
UNIVERSAL OUTLET



STEP 1: PLACE UNIVERSAL OUTLET AT
END OF TREMDRAIN WITH FABRIC SIDE
FACING UP.



STEP 2: FOLD FABRIC AROUND EXPOSED
EDGE OF CORE.



STEP 3: TAPE AND ENSURE ALL EDGES
ARE SECURED WITH TAPE TO PREVENT
SOIL INTRUSION.

The architecture, engineering, and design of the project using the Tremco products are the responsibility of the project's design professional. All products and systems must comply with local building codes and standards. This detail is for general information and guidance only and Tremco specifically disclaims any liability for the use of this detail. The project design professional determines, in its sole discretion, whether this detail or a functionally equivalent detail is best suited for the project. This detail is subject to change without notice. Contact Tremco to ensure you have the most recent version.

TREMDrain



Tremco Technical Support: 866-209-2404

Detail: TREMDrain Universal Outlet

Drawn by: HDE

Checked by: WH

Scale: NTS

Date: 5/25/2022

File Name:

TD-A-UO-01



Construction Products Group

www.tremcocpg.com