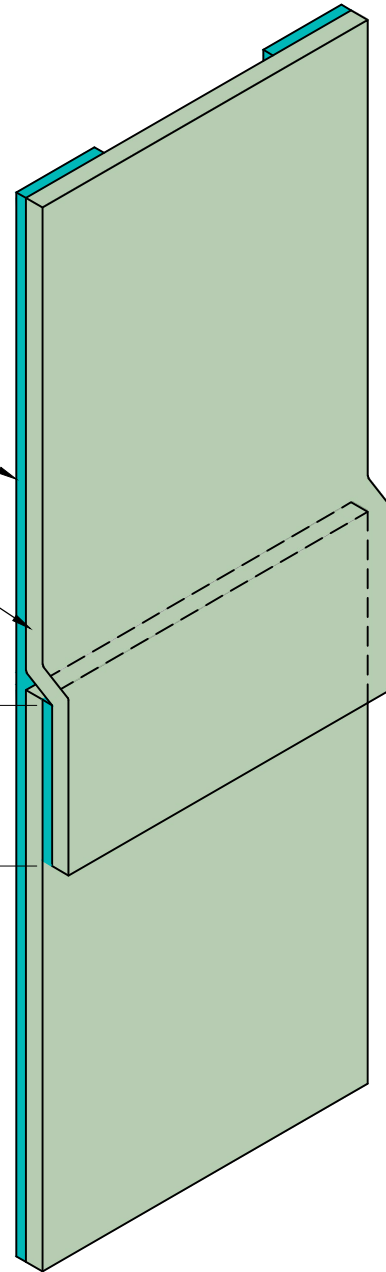


DYMONIC 100

DYMONIC SIMPLE SEAL

1" MIN. OVERLAP



NOTE: DYMONIC SIMPLE SEAL CANNOT BE LEFT EXPOSED

ADHESION TO SUBSTRATE TO BE CONFIRMED PRIOR TO APPLICATION

The architecture, engineering, and design of the project using the Tremco products are the responsibility of the project's design professional. All products and systems must comply with local building codes and standards. This detail is for general information and guidance only and Tremco specifically disclaims any liability for the use of this detail. The project design professional determines, in its sole discretion, whether this detail or a functionally equivalent detail is best suited for the project. This detail is subject to change without notice. Contact Tremco to ensure you have the most recent version.

Dymonic Simple Seal



www.tremcosealants.com
Tremco Technical Support: 866-209-2404

Detail: Dymonic Simple Seal at Joint Continuation

Drawn by: KAB

Checked by: RB/DM

Scale: NTS

Date: 12/7/2021

File Name:

DSS-04



Construction Products Group

Tremco Construction Products Group companies: Dryvit Systems, Inc.; Nudura Inc.; Prebuck LLC; Schul International Co., LLC d/b/a/ Willseal; Tremco Incorporated