

Nylon Zip Tie or S.S. Clamp

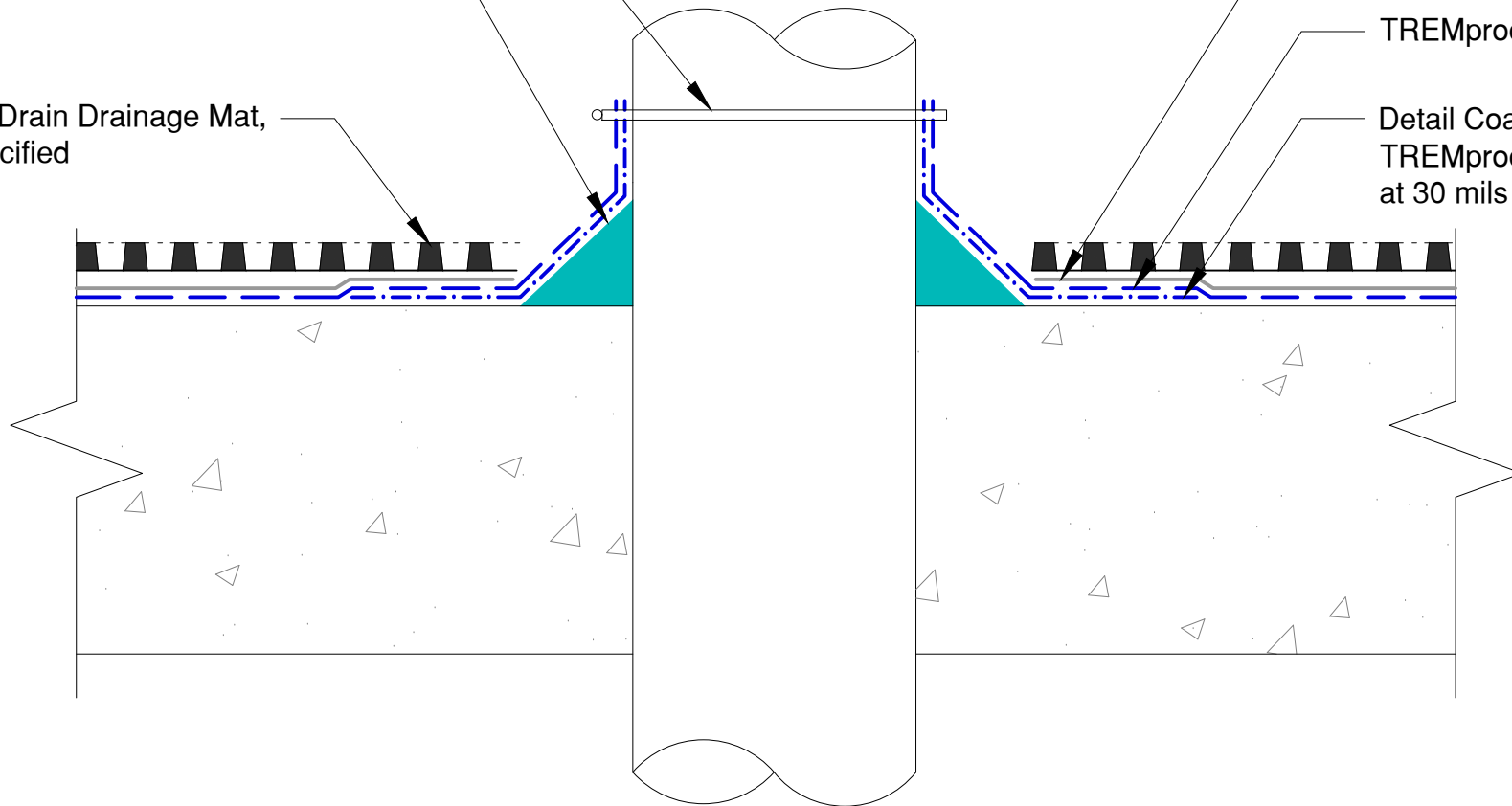
1x1" Cant of Dymonic 100,
Tremco approved sealant, or
trowel grade of TREMproof 250GC

TREMDrain Drainage Mat,
as specified

Tremco Protection
Course

TREMproof 250GC

Detail Coat of
TREMproof 250GC
at 30 mils



TREMCO

www.tremcosealants.com

3735 Green Road * Beachwood, OH 44122
Phone : 866-209-2404 * Fax: 216-766-5535

Detail: Penetration in TREMproof 250GC

Sheet Number:

File Name:

C-250GC-P-02

This detail is intended for conceptual purposes only.

Drawn by: KAB

Checked by: WH

Scale: None

Date: 7/25/2018