

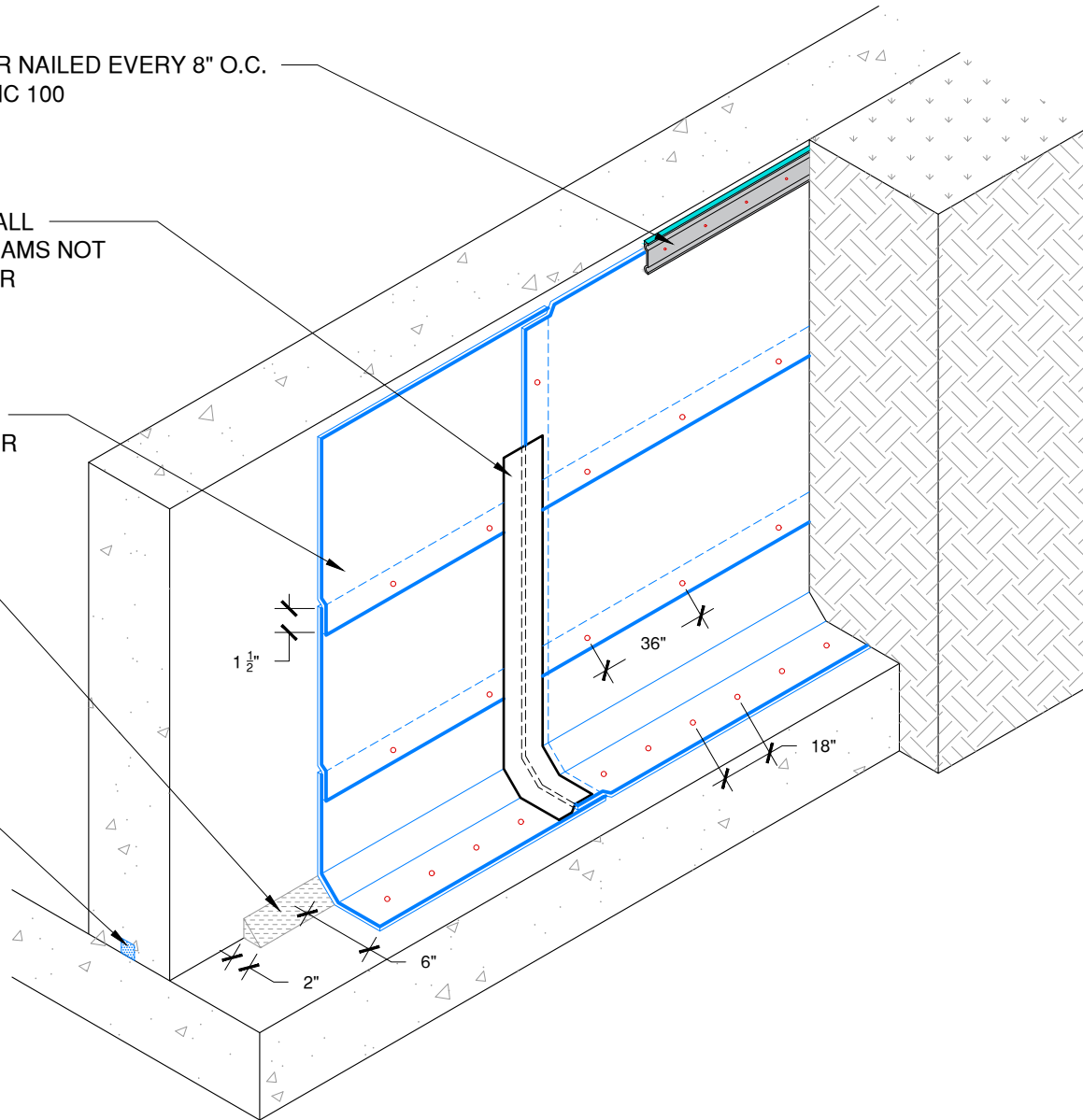
CONTINUOUS PARATERM BAR NAILED EVERY 8" O.C.
WITH CANT BEAD OF DYMONIC 100

PERMANENT SEAM TAPE AT ALL
VERTICAL SEAMS OR ANY SEAMS NOT
ORIENTATED TO SHED WATER

PARASEAL MEMBRANE WITH
HDPE SIDE FACING INSTALLER

PARAGRANULAR CANT

SUPERSTOP



NOTE: PARASEAL PRODUCTS REQUIRE A MIN 24 PSF OF
COMPACTION/CONFINEMENT IN ORDER TO FUNCTION AS DESIGNED

The architecture, engineering, and design of the project using the Tremco products are the responsibility of the project's design professional. All products and systems must comply with local building codes and standards. This detail is for general information and guidance only and Tremco specifically disclaims any liability for the use of this detail. The project design professional determines, in its sole discretion, whether this detail or a functionally equivalent detail is best suited for the project. This detail is subject to change without notice. Contact Tremco to ensure you have the most recent version.

Paraseal Backfilled Walls



Tremco Technical Support: 866-209-2404

Detail: Paraseal Installation with Seams Running Horizontally

Drawn by: KAB

Checked by: WH

Scale: NTS

Date: 3/22/2022

File Name:

BFW-P-G-02



www.tremcocpg.com