

Rev #  
00

File Name:  
13505

Sheet Number:

Date: 07/21/2014

Detail: EIFS Isometric- Impermeable Fluid (Exterior Sheathing)

Scale: None

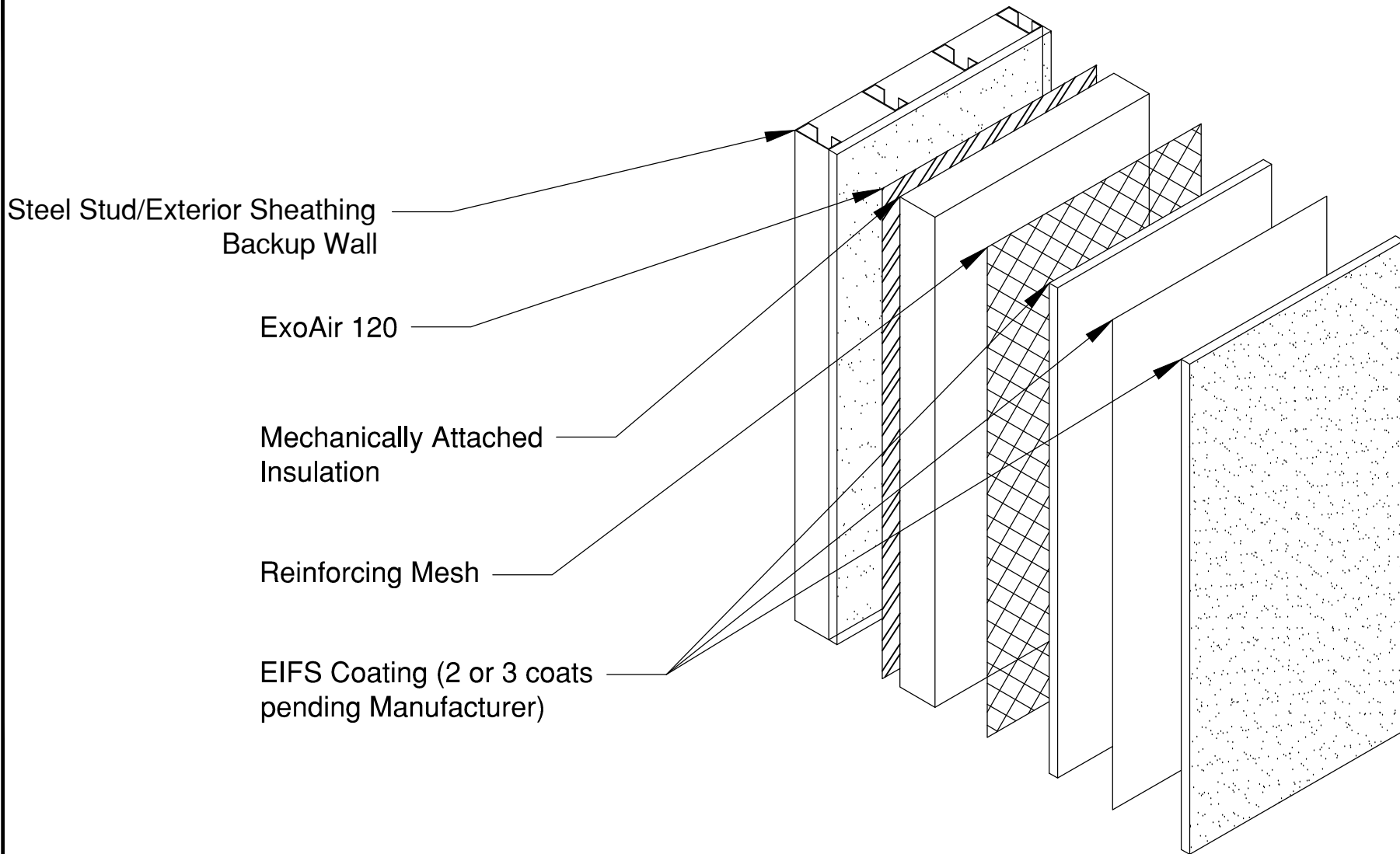
Checked by: SM

Drawn by: S.Mort

**TREMCO**<sup>®</sup>

[www.tremcosealants.com](http://www.tremcosealants.com)

3735 Green Road • Beachwood, OH 44122  
Phone : 866-209-2404 • Fax : 216-766-5535



Steel Stud/Exterior Sheathing Backup Wall

ExoAir 120

Mechanically Attached Insulation

Reinforcing Mesh

EIFS Coating (2 or 3 coats pending Manufacturer)

This detail is intended for conceptual purposes only. Detail must be reviewed by a project/design professional. See [www.tremcosealants.com](http://www.tremcosealants.com) for the most up-to-date product information

Rev	Date	Description	By
-	-	-	-