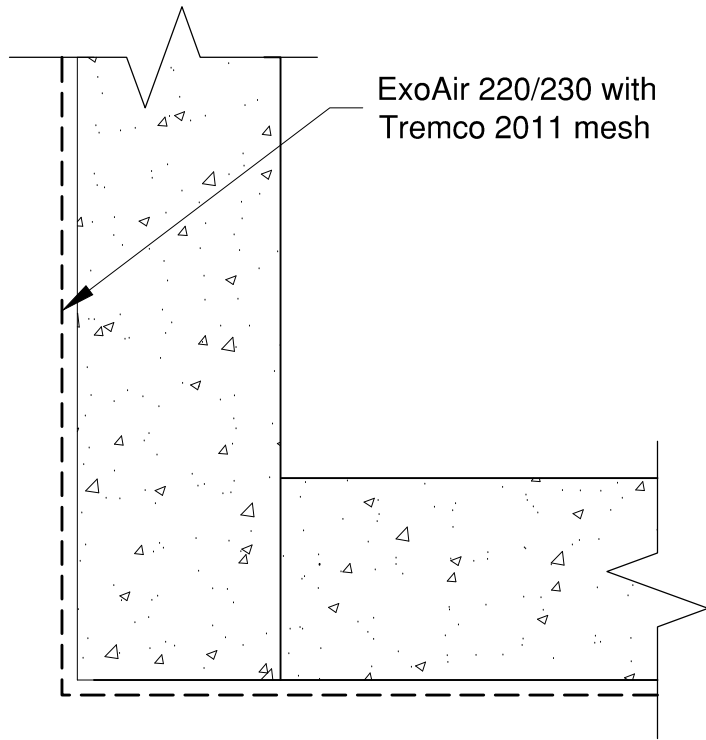
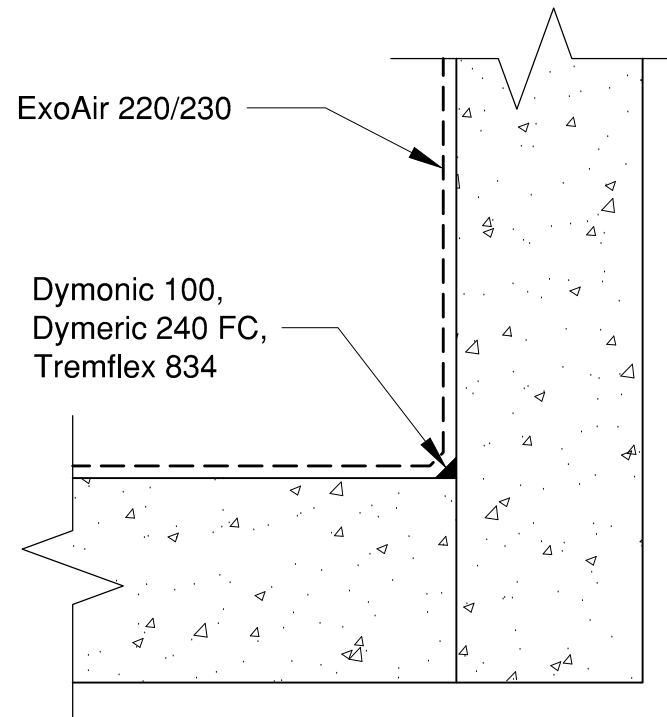


### Outside Corner



ExoAir 220/230 with  
Tremco 2011 mesh

### Inside Corner



ExoAir 220/230

Dymonic 100,  
Dymeric 240 FC,  
Tremflex 834

This detail is intended for conceptual purposes only. Detail must be reviewed by a project/design professional.  
See [www.tremcosealants.com](http://www.tremcosealants.com) for the most up-to-date product information

Rev	Date	Description	By
-	-	-	-



[www.tremcosealants.com](http://www.tremcosealants.com)  
3735 Green Road • Beachwood, OH 44122  
Phone : 866-209-2404 • Fax : 216-766-5535

Detail: Inside/Outside Corners- Permeable Fluid  
(Concrete)  
Drawn by: KAB  
Checked By: SDM

Scale: None

Sheet Number:  
Date: 07/21/2014

File Name:  
13431

Rev #  
00