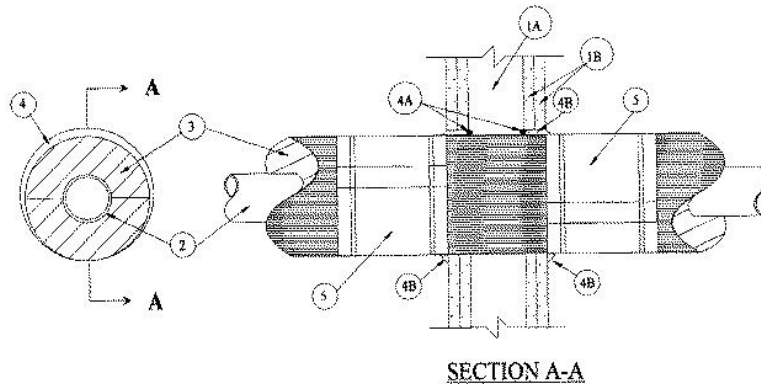


System No. W-L-5083

August 2008
F Rating — 2 Hr
T Rating — 2 Hr
(UL/cUL)



- Wall Assembly** — The 2 hr fire-rated Gypsum wallboard/stud wall assembly shall be constructed of the materials and in the manner specified in the individual U300 or U400 Series Wall and Partition Designs in the UL Fire Resistance Directory and shall include the following construction features:
 - Studs** — Wall framing may consist of either wood studs or steel channel studs. Wood studs to consist of nom 2 by 4 in. lumber spaced 16 in. OC. Steel studs to be min 2-1/2 in. wide and spaced max 24 in. OC.
 - Gypsum Board*** — Two layers of nom 1/2 or 5/8 in. thick Gypsum wallboard, as specified in the individual Wall and Partition Design. Max diam of opening is 15-1/8 in.
- Through Penetrants** — One metallic pipe or tubing to be installed either concentrically or eccentrically within the firestop system. Pipe or tubing to be rigidly supported on both sides of wall assembly. The following types and sizes of metallic pipes or tubing may be used:
 - Steel Pipe** — Nom 8 in. diam (or smaller) Schedule 10 (or heavier) steel pipe.
 - Iron Pipe** — Nom 8 in. diam (or smaller) cast or ductile iron pipe.
- Pipe Covering Materials* — Cellular Glass Insulation** — Nom 3 in. thick cellular glass units sized to the outside diam of the through penetrant and supplied in nom 24 in. long half sections or nom 18 in. long segments. Pipe insulation installed in accordance with the manufacturer's instructions. The annular space between the insulated pipe and periphery of opening shall be min 0 in. to max 1/2 in.
PITTSBURGH CORNING CORP — FOAMGLAS
- Firestop System** — The firestop system shall consist of the following:
 - Packing Material** — (Optional) — Foam backer rod firmly packed into the opening as a permanent form. Packing material to be recessed from both surfaces of wall as required to accommodate the required thickness of fill material.
 - Fill, Void or Cavity Material* — Caulk** — Min 1 in. thickness of fill material applied within the annulus, flush with both surfaces of wall. Additional fill material to be installed such that a min 5/8 in. crown is formed around the penetrating item on both surfaces of wall.
TREMCO INC — TREMstop Intumescent Acrylic, FyreCaulk, or TREMstop IA+
- Metal Jacket** — Min 10 in. wide jacket formed of min 0.010 in. thick aluminum sheet tightly wrapped around the outer circumference of the pipe insulation (Item 3) with a min 2 in. lap. Jacket secured with min 1/2 in. wide stainless steel hose clamps or bands located within 2 in. of each end of the jacket and spaced a max of 8 in. OC. Jacket to be installed abutting surface of caulk (Item 4) on both surfaces of wall. Metal jacket to be used in addition to any other jacketing material which may be required or desired on the pipe insulation.

*Bearing the UL Classification Mark



Reprinted from the Online Certifications Directory with permission from Underwriters Laboratories Inc.
Copyright © 2008 Underwriters Laboratories Inc. ®

Tremco Commercial Sealants & Waterproofing

3735 Green Road, Beachwood, OH 44122 // Phone: 216.292.5000 // 800.321.7906
220 Wicksteed Avenue, Toronto, ON M4H 1G7 // Phone: 416.421.3300 // 800.363.3213
1451 Jacobson Avenue, Ashland OH 44805 // Phone: 419.289.2050 // 800.321.6357