

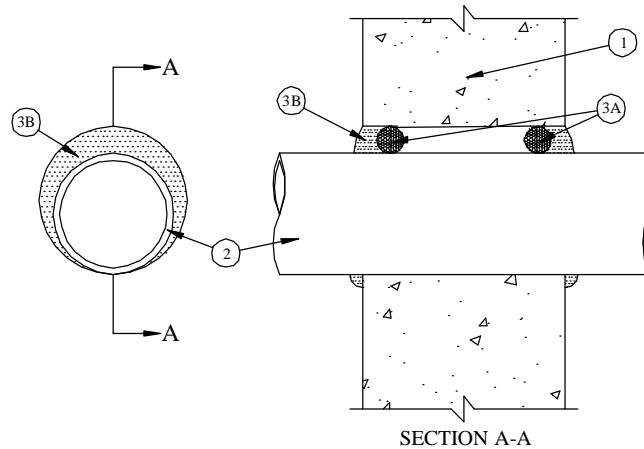
System No. W-J-7056

August 2008

F Ratings — 1 and 2 Hr (See Item 1)

T Rating — 0 Hr

L Rating at Ambient - Less Than 1 CFM/sq ft
(UL/cUL)



- Wall Assembly** — Min 5 in. (127 mm) or 6 in. (152 mm) thick reinforced lightweight or normal weight (100-150 pcf or 1600-2400 kg/m³) concrete for 1 hr or 2 hr F Rating respectively. Wall may also be constructed of any UL Classified **Concrete Blocks***. Max size of opening is 81 in² (523 cm²) with max dimension of 9 in. (229 mm), or 5 in. (127 mm) diam.

See **Concrete Blocks** (CAZT) category in the Fire Resistance Directory for names of manufacturers.

- Steel Duct** — One duct to be installed within the firestop system. The annular space shall be as specified in the Table below. Duct to be rigidly supported on both sides of wall assembly. The following types and sizes of duct may be used.
 - Max 16 in. (406 mm) diam No. 24 gauge (or heavier) galv steel vent duct.
 - Max 16 in. (406 mm) diam No. 24 gauge (or heavier) spiral wound galv steel duct.
 - Nom 8 in. by 8 in. (203 by 203 mm) (or smaller) No. 26 gauge (or heavier) galv steel duct.

Type of Duct	Max Duct Size	Annular Space
Round	16 in. (406 mm) diam	Min 0 in. (point contact) to max 1 in. (25 mm)
Rectangular	8 by 8 in. (203 by 203 mm)	Nom 1/2 in. (13 mm)

- Firestop System** — The firestop system shall consist of the following:
 - Packing Material** — (Optional) — Foam backer rod firmly packed into the opening as a permanent form. Packing material to be recessed from both surfaces of wall as required to accommodate the required thickness of fill material.
 - Fill, Void or Cavity Material* — (Caulk)** — Min 1/2 in. (13 mm) thickness of fill material applied within the annulus, flush with both surfaces of wall. When annular space exceeds 1/2 in., min thickness of fill material is 5/8 in. (16 mm). For round ducts, additional fill material to be installed such that a min 3/8 in. (10 mm) crown is formed around the penetrating item.

TREMCO INC — TREMstop Intumescent Acrylic, FyreCaulk, or TEMstop IA+

*Bearing the UL Classification Mark



Reprinted from the Online Certifications Directory with permission from Underwriters Laboratories Inc.
Copyright © 2008 Underwriters Laboratories Inc. ®