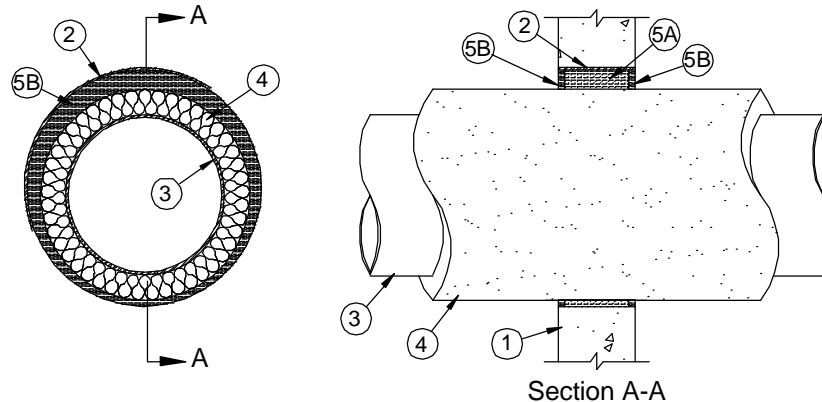


System No. W-J-5100

August 2008
F Rating — 2 Hr
T Rating — 1-1/2 Hr
(UL/cUL)



1. **Wall Assembly** — Min 6 in. thick lightweight or normal weight (100-150 pcf) concrete wall assembly. Wall may also be constructed of any UL Classified **Concrete Blocks***. Circular opening in wall to be min 1 in. larger than outside diam of insulated pipe. Max diam of opening is 30 in.

See **Concrete Blocks** (CAZT) category in the Fire Resistance Directory for names of manufacturers.

2. **Steel Sleeve** — (Optional) — Max 30 in. diam cylindrical sleeve fabricated from min 0.056 in. thick (16 ga) galv steel and having a min 2 in. lap along the longitudinal seam. As an alternate, a nom 30 in. diameter (or smaller) Schedule 10 (or heavier) steel pipe sleeve may be used. Sleeve to be cast or grouted into wall with ends of sleeve flush with or recessed max 1/8 in. from wall surfaces.
3. **Pipe** — Nom 24 in. diameter (or smaller) cast iron, ductile iron or Schedule 10 (or heavier) steel pipe. One pipe to be installed either concentrically or eccentrically within the firestop system. Pipe to be rigidly supported on both sides of wall assembly.
4. **Pipe Covering*** — Nom 2 in. thick hollow cylindrical heavy density (min 3.5 pcf) glass fiber units jacketed on the outside with an all service jacket. Longitudinal joints sealed with metal fasteners or factory-applied self-sealing lap tape. Transverse joints secured with metal fasteners or with butt tape supplied with the product. The annular space within the firestop system shall be min 1/4 in. to max 1-1/2 in.

See **Pipe and Equipment Covering — Materials** (BRGU) category in the Building Materials Directory for names of manufacturers. Any pipe covering material meeting the above specifications and bearing the UL Classification Marking with a Flame Spread Index of 25 or less and a Smoke Developed Index of 50 or less may be used.

5. **Firestop System** — The firestop system shall consist of the following:
 - A. **Packing Material** — Min 5 in. thickness of min 4 pcf density mineral wool batt insulation firmly-packed into steel sleeve as a permanent form. Packing material to be recessed from both surfaces of wall as required to accommodate the required thickness of fill material.
 - B. **Fill, Void or Cavity Material* — Caulk** — Min 1/2 in. thickness of fill material applied within the annulus, flush with both surfaces of wall. Edges of steel sleeve to be covered with caulk.

TREMCO INC — TREMstop Intumescent Acrylic, FyreCaulk, or TREMstop IA+

*Bearing the UL Classification Mark



Reprinted from the Online Certifications Directory with permission from Underwriters Laboratories Inc.
Copyright © 2008 Underwriters Laboratories Inc. ®