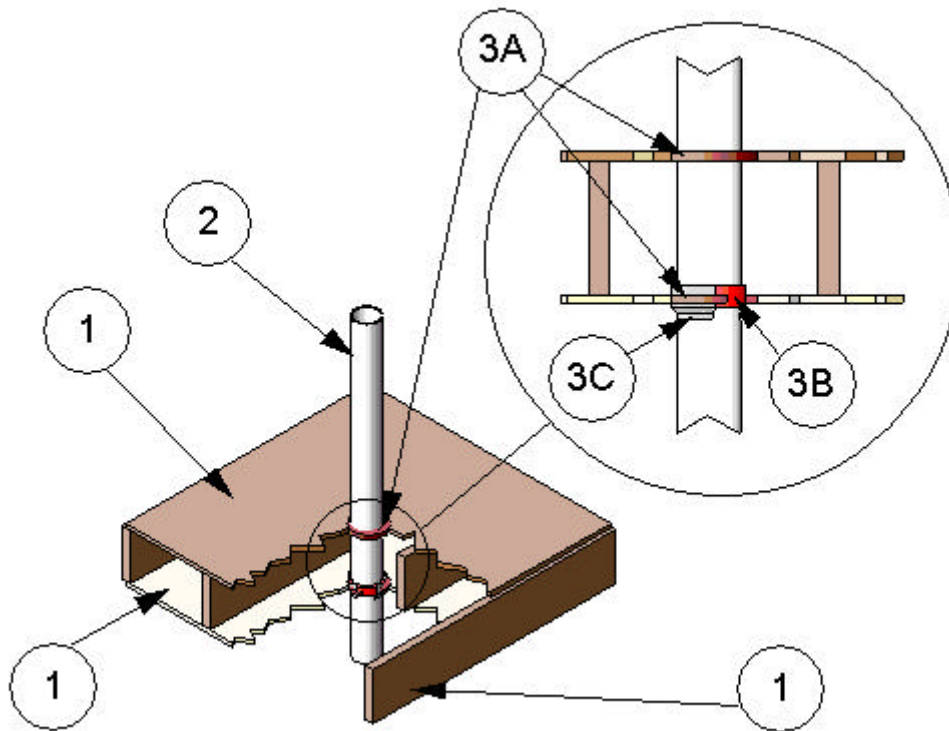


## TL/PH 60-04

F-Rating - See Chart  
T- Rating - See Chart

Nom. Pipe Dia. (In.)	Wrap Strip Size Thick x Width (in.)	Dia. of Opening (in.)	Annular Space (in.)		Penetrating Item Material	Rating (min)	
			Min	Max		T	F
2	1/8 x 1-1/2	3	1/8	1/2	PVC Sch. 40	60	60
					Cellular Core ABS Sch. 40	58	60
3	1/4 x 1-1/2	4	1/4	1/4	PVC Sch. 40	60	60
					Cellular Core ABS Sch. 40	59	60
4	3/8 x 1-1/2	6	3/8	1-1/8	PVC Sch. 40	60	60



- FLOOR/CEILING ASSEMBLY** - Create a one-hour fire-rated floor/ceiling assembly consisting of 2 x 10 Douglas Fir lumber joist spaced 16 in. o.c. Cover the top of the 2 x 10 joists with 3/4 in. plywood sheathing using #6 1-5/8 in. bugle head phillips drywall screws spaced 12 in. o.c. Cover the bottom of the 2 x 10 joists with min. 5/8 in. thick Type C gypsum wallboard applied at right angles to joists and attached using #6 1-5/8 in. bugle head phillips drywall screws spaced 12 in. o.c. Joint Tape and Compound - Apply vinyl or casein, dry or premixed joint compound to face layer of gypsum wall board on two coats to all exposed screw heads and gypsum wallboard joints. Embed a min. 2 in. wide paper, plastic or fiberglass tape in first layer of compound over joints in gypsum wallboard. Refer to Chart and create a through-opening with a dia. corresponding to the pipe dia.
- PENETRATING ITEM** - See Chart for Penetrating Item Type and Size. All Pipe wall thicknesses are Sch 40 and are intended for use in vented systems. Eccentrically position in the opening made in the Floor/Ceiling Assembly (Item 1) the desired pipe and establish the annular space between the Penetrating Item the edge of the opening according to the Chart.
- FILL, VOID OR CAVITY MATERIAL** - Apply the following materials to the annular space between the Floor/ceiling assembly (Item 1) and the Penetrating Item (Item 2)

- A. **Sealant** - Apply a min. 3/4 in. depth of sealant fill material to the annular space between the plywood sheathing of the Floor/Ceiling Assembly (Item 1) and the Penetrating Item (Item 2). Apply a min. 5/8 in. depth of sealant fill material to the annular space between the gypsum wallboard of the Floor/Ceiling Assembly (Item 1) and the Wrapstrip (Item 3B). If there is no annular space between the gypsum wallboard of the Floor/Ceiling Assembly (Item 1) and the Wrapstrip (Item 3B) the place a bead of sealant at the interface between the gypsum wallboard of the Floor/Ceiling Assembly (Item 1) and the Wrapstrip (Item 3B).

**CERTIFIED MANUFACTURER:** Tremco

**CERTIFIED PRODUCT:** Sealant

**MODEL:** TREMstop IA+Sealant

- B. **Wrapstrip** - See Chart for Wrapstrip size. The Wrapstrip is continuously wrapped around the outer circumference of the Penetrating Item (Item 2) once and slid into the annular space between the gypsum wallboard of the Floor/Ceiling Assembly (Item 1) and the Penetrating Item (Item 2) and held in place with a layer of Aluminum Foil Tape (Item 3D). The bottom edge of the wrap strip shall protrude a max 1/4 in. from the bottom of the Floor/Ceiling Assembly (Item 1).

**CERTIFIED MANUFACTURER:** Tremco Ltd.

**CERTIFIED PRODUCT:** Wrapstrip

**MODEL:** TREMstop SS Wrapstrip

Aluminum Foil Tape - Place 2-1/2 in. wide Aluminum Foil Tape around the Wrapstrip (Item 3C) aligning the top of the tape with the top of the Wrapstrip (Item 3). Compress the Aluminum Foil Tape against the Wrapstrip (Item 3C). Position the Wrapstrip (Item 3C) in place, then press the excess Aluminum Foil Tape that overlaps the wrapstrip against Penetrating Item (Item 2).



Reproduced courtesy of Intertek Testing Services. Copyright © 2008 Intertek Testing Services Inc.



Reproduced courtesy of Intertek Testing Services. Copyright © 2008 Intertek Testing Services Inc.