

System No. FW-D-0034

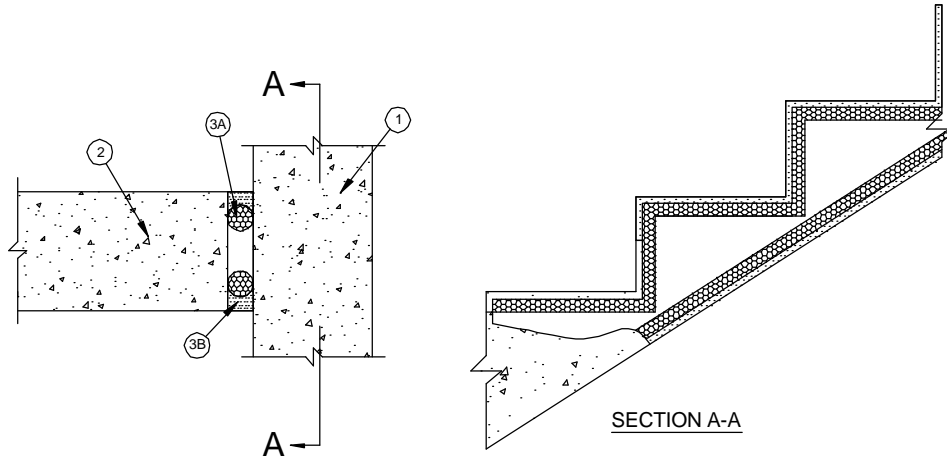
August 2008

Assembly Rating - 2 Hr

L Rating At Ambient - Less Than 1 CFM/Lin Ft

Nominal Joint Width - 1 in.

Class II and III Movement Capabilities - 3% Compression Or Extension
(UL/cUL)



1. **Wall Assembly** — Min 4-1/2 in. (114 mm) thick reinforced lightweight or normal weight (100-150 pcf (1600-2400 kg/cu meter)) structural concrete. Wall may also be constructed of any UL Classified **Concrete Blocks***.
See **Concrete Blocks** (CAZT) category in the Fire Resistance Directory for names of manufacturers.
2. **Stair Assembly** — Min 4-1/2 in. (114 mm) thick reinforced lightweight or normal weight (100-150 pcf (1600-2400 kg/cu meter)) structural concrete.
3. **Joint System** — **Max width of joint (at time of installation of joint system) is 1 in. (25 mm).** The joint system is designed to accommodate a max 3 percent compression or extension from its installed width. The joint system shall consist of the following:
 - A. **Packing Material** — Nom 1-1/2 in. (38 mm) diam polyethylene backer rod compressed and firmly packed into joint opening and recessed from both sides of floor to accommodate required thickness of fill material.
 - B. **Fill, Void or Cavity Material* - Sealant** — Min 1/2 in. (13 mm) thickness of fill material applied within the joint, flush with both surfaces of floor.

TREMCO INC — TREMstop Intumescent Acrylic, FyreCaulk, or TREMstop IA+

*Bearing the UL Classification Mark



Reprinted from the Online Certifications Directory with permission from Underwriters Laboratories Inc.
Copyright © 2008 Underwriters Laboratories Inc. ®

Tremco Commercial Sealants & Waterproofing

3735 Green Road, Beachwood, OH 44122 // Phone: 216.292.5000 // 800.321.7906
220 Wicksteed Avenue, Toronto, ON M4H 1G7 // Phone: 416.421.3300 // 800.363.3213
1451 Jacobson Avenue, Ashland OH 44805 // Phone: 419.289.2050 // 800.321.6357