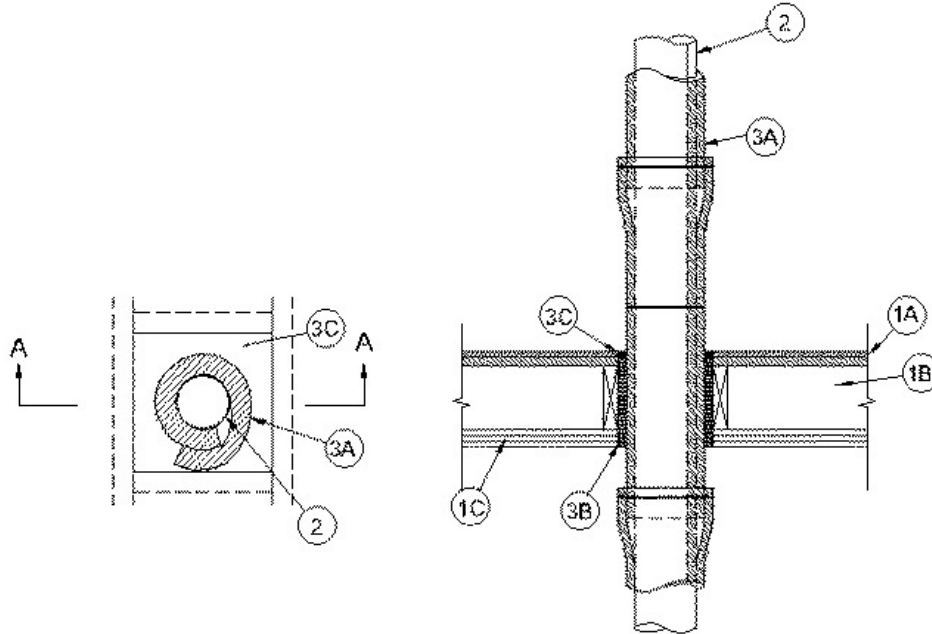


## System No. F-C-7037

August 2008

F Rating - 1 and 2 Hr (See Item 1)

T Rating - 1 and 2 Hr (See Item 1)  
(UL/cUL)



Section A-A

1. **Floor-Ceiling Assembly** — The 1 hr fire-rated solid or trussed lumber joist floor-ceiling assembly shall be constructed of the materials and in the manner specified in the individual L500 Series Floor-Ceiling Designs in the UL Fire Resistance Directory. The 2 hr fire-rated wood joist floor-ceiling assembly shall be constructed of the materials and in the manner specified in Design Nos. L505, L511 or L536 in the UL Fire Resistance Directory. The general construction details of the floor-ceiling assembly are summarized below:
  - A. **Flooring System** — Lumber or plywood subfloor with finish floor of lumber, plywood or **Floor Topping Mixture\*** as specified in the individual Floor-Ceiling Design. Max area of floor opening is 100 in.<sup>2</sup> (645 cm<sup>2</sup>) with a max dimension of 10 in. (mm).
  - B. **Wood Joists** — For 1 hr fire-rated floor-ceiling assemblies nom 10 in. (254 mm) deep (or deeper) lumber, steel or combination lumber and steel joists, trusses or **Structural Wood Members\*** with bridging as required and with ends firestopped. For 2 hr fire-rated floor-ceiling assemblies, nom 2 by 10 in. (51 by 254 mm) lumber joists spaced 16 in. (406 mm) OC with nom 1 by 3 in. (25 by 76 mm) lumber bridging and with ends firestopped. Additional framing members installed to form a square enclosure around the perimeter of the opening in the floor and ceiling.
  - C. **Furring Channels** — (Not Shown) - In 2 hr fire-rated assemblies, resilient galv steel furring installed perpendicular to wood joists between first and second layers of gypsum board (Item 1D). Furring channels spaced max 24 in. (610 mm) OC. In 1 hr fire-rated assemblies, resilient galv steel furring installed perpendicular to wood joists between gypsum board and wood joists as specified in the individual Floor-Ceiling Design. Furring channels spaced max 24 in. (610 mm) OC. If furring channels are used within the assembly, additional furring channels to be installed along the periphery of the opening.
  - D. **Gypsum Board\*** — Nom 4 ft (1.2 m) wide by 5/8 in. (16 mm) thick as specified in the individual Floor-Ceiling Design. First layer of gypsum board secured to wood joists or furring channels as specified in the individual Floor-Ceiling Design. Second layer of gypsum board (2 hr fire-rated assembly) screw-attached to furring channels as specified in the individual Floor-Ceiling Design. Max area of ceiling opening is 100 in.<sup>2</sup> (645 cm<sup>2</sup>) with a max dimension of 10 in. (mm).

**The hourly F and T Ratings of the firestop system are equal to the hourly fire rating of the floor-ceiling in which it is installed.**
2. **Steel Air Duct** — Max 4 in. (102 mm) diam by min 0.022 in. (0.56 mm) thick galv steel air duct to be centered within the firestop system. Max one steel air duct to be installed within opening. Steel duct to be rigidly supported on both sides of floor-ceiling assembly.
3. **Firestop System** — The firestop system shall consist of the following:
  - A. **Duct Wrap Materials\*** — Nom 1-1/2 in. (38 mm) thick, blanket totally encapsulated within foil-scrim facers. steel air duct shall be wrapped with one layer of duct wrap installed in accordance with Ventilation Assembly No. V-19. See Ventilation

Duct Assemblies in Vol. 2 of the Fire Resistance Directory. The annular space between the insulated steel duct and the periphery of the opening shall be a nom 1-1/2 in. (38 mm).

**THERMAL CERAMICS INC** – FireMaster Fast Wrap+

- B. **Packing Material** – Min 10-3/8 in. (264 mm) and 11-5/8 in. (295 mm) thickness of unfaced scrap duct wrap material compressed 50 percent into opening as a permanent form between the insulated steel duct and the periphery of the opening for 1 and 2 hr floor-ceiling assemblies, respectively. Packing material to be installed flush with bottom surface of ceiling and recessed from top surface of floor to accommodate the required thickness of fill material.
- C. **Fill, Void or Cavity Material\* - Sealant** – Min 1/4 in. (6 mm) thickness of fill material applied within annulus on top surface of floor.

**TREMCO INC** – Fyre-Sil, TREMstop Acrylic, TREMstop Intumescent Acrylic, FyreCaulk, or TREMstop IA+

\*Bearing the UL Classification Mark



Reprinted from the Online Certifications Directory with permission from Underwriters Laboratories Inc.  
Copyright © 2008 Underwriters Laboratories Inc. ®

## Tremco Commercial Sealants & Waterproofing

3735 Green Road, Beachwood, OH 44122 // Phone: 216.292.5000 // 800.321.7906  
220 Wicksteed Avenue, Toronto, ON M4H 1G7 // Phone: 416.421.3300 // 800.363.3213  
1451 Jacobson Avenue, Ashland OH 44805 // Phone: 419.289.2050 // 800.321.6357