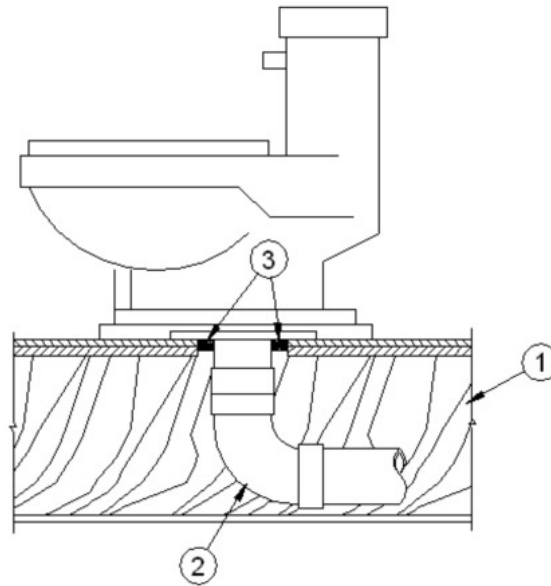


## System No. F-C-2383

August 22, 2008  
F Rating — 1 Hr  
T Rating — 1 Hr  
(UL/cUL)



1. **Floor-Ceiling Assembly** — The 1 hr fire-rated solid or trussed lumber joist floor-ceiling assembly shall be constructed of the materials and in the manner specified in the individual L500 Series Floor-Ceiling Designs in the UL Fire Resistance Directory. The general construction details of the floor-ceiling assembly are summarized below:
  - A. **Flooring System** — Lumber or plywood subfloor with finish floor of lumber, plywood or **Floor Topping Mixture\*** as specified in the individual Floor-Ceiling Design. Diam of opening shall be 1 in. (25 mm) larger than diam of pipe. Max diam of opening is 5-1/2 in. (140 mm).
  - B. **Wood Joists** — Nom 10 in. (254 mm) deep (or deeper) lumber, steel or combination lumber and steel joists, trusses or **Structural Wood Members\*** with bridging as required and with ends firestopped.
  - C. **Gypsum Board\*** — Nom 4 ft (1.2 m) wide by 5/8 in. (16 mm) thick as specified in the individual Floor-Ceiling Design. Diam of opening shall be 1 in. (25 mm) larger than diam of pipe. Max diam of opening is 5-1/2 in. (140 mm).
2. **Nonmetallic Pipe** — One nonmetallic drain pipe with max 4 in. (102 mm) diam toilet flange installed within the firestop system. The annular space between drain pipe and periphery of opening shall be min 1/2 in. (13 mm) to max 1-1/2 in. (38 mm). Pipe to be rigidly supported on lower side of floor assembly. The following types and sizes of nonmetallic pipes, fittings and flanges may be used:
  - A. **Polyvinyl Chloride (PVC) Pipe** — Nom 4 in. (102 mm) diam (or smaller) Schedule 40 solid core or cellular core PVC pipe for use in vented (drain, waste or vent) piping system.
  - B. **Acrylonitrile Butadiene Styrene (ABS) Pipe** — Nom 4 in. (102 mm) diam (or smaller) Schedule 40 cellular core or solid core ABS pipe for use in vented (drain, waste or vent) piping systems.
3. **Fill, Void or Cavity Materials\* -- Caulk or Sealant** — Min 1/2 in. (13 mm) thickness of caulk applied within annular space around perimeter of ABS Pipe (Item 2), flush with top surface of floor.

**TREMCO INC** — TREMstop Intumescent Acrylic, FyreCaulk, TREMstop IA+
4. **Water Closet** — Floor mounted vitreous china water closet.

\*Bearing the UL Classification Mark



Reprinted from the Online Certifications Directory with permission from Underwriters Laboratories Inc.  
Copyright © 2008 Underwriters Laboratories Inc. ®

### Tremco Commercial Sealants & Waterproofing

3735 Green Road, Beachwood, OH 44122 // Phone: 216.292.5000 // 800.321.7906  
220 Wicksteed Avenue, Toronto, ON M4H 1G7 // Phone: 416.421.3300 // 800.363.3213  
1451 Jacobson Avenue, Ashland OH 44805 // Phone: 419.289.2050 // 800.321.6357