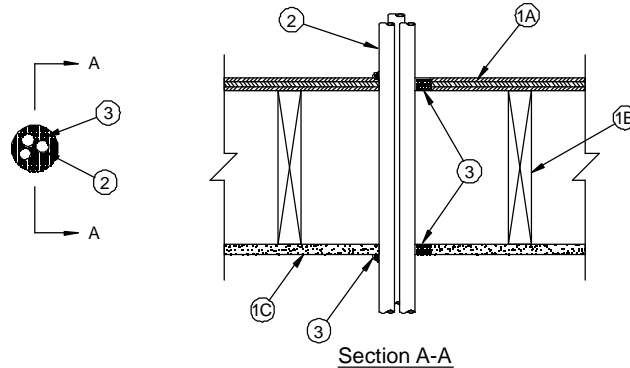


## System No. F-C-2360

August 2008  
F Rating — 1 Hr  
T Rating — 1 Hr  
(UL/cUL)



1. **Floor-Ceiling Assembly** — The 1 hr fire-rated solid or trussed lumber joist floor-ceiling assembly shall be constructed of the materials and in the manner specified in the individual L500 Series Floor-Ceiling Designs in the UL Fire Resistance Directory. The general construction features of the floor-ceiling assembly are summarized below:
  - A. **Flooring System** — Lumber or plywood subfloor with finish floor of lumber, plywood or **Floor Topping Mixture\*** as specified in the individual Floor-Ceiling Design. Max diam of floor opening is 2-1/2 in. (64mm).
  - B. **Wood Joists\*** — Nom 10 in. (254 mm) deep (or deeper) lumber, steel or combination lumber and steel joists, trusses or **Structural Wood Members\*** with bridging as required and with ends firestopped.
  - C. **Gypsum Board\*** — Nom 4 ft wide by 5/8 in. (16 mm) thick as specified in the individual Floor-Ceiling Design.. Max diam of opening is 2-1/2 in. (64 mm).
- 1.1 **Chase Wall** — (Not Shown, Optional) — The through penetrants (Item 2) may be routed through a 1 hr fire-rated single, double or staggered wood stud/gypsum board chase wall having a fire rating consistent with that of the floor-ceiling assembly. The chase wall shall be constructed of the materials and in the manner specified in the individual U300 Series Wall and Partition Designs in the UL Fire Resistance Directory and shall include the following construction features:
  - A. **Studs** — Nom 2 by 4 in. (51 by 102 mm) or nom 2 by 6 in. (51 by 152 mm) lumber or double nom 2 by 4 in. (51 by 102 mm) lumber studs.
  - B. **Sole Plate** — Nom 2 by 4 in. (51 by 102 mm) lumber or parallel 2 by 4 in. (51 by 102 mm) or nom 2 by 6 in. (51 by 152 mm) lumber plates, tightly butted. Max diam of opening is 2-1/2 in. (64 mm).
  - C. **Top Plate** — The double top plate shall consist of two nom 2 by 4 (51 by 102 mm) or nom 2 by 6 in. (51 by 152 mm) lumber plates or double parallel nom 2 by 4 in. (51 by 102 mm) lumber plates tightly butted. Max diam of opening is 2-1/2 in. (64 mm).
  - D. **Gypsum Board\*** — Thickness, type, number or layers and fasteners shall be as specified in individual Wall and Partition Designs.
2. **Through Penetrant** — A max of four SDR 9 cross-linked polyethylene (PEX) tubing for use in closed (process or supply) piping systems having a maximum diameter of 3/4 in. (19 mm). Of the four tubes, a max of two shall have a nom diam greater than 1/2 in. (13 mm). The annular space between the tubing and the periphery of the opening shall be min 0 in (point contact) and a max of 3/4 in. (19 mm). The space between the tubing shall be a min 0 in. (point contact) to a max 3/4 in. (19 mm). Tubing to be rigidly supported on both sides of the floor-ceiling assembly.
3. **Fill, Void or Cavity Material\* — Sealant** — Min 3/4 in. (19 mm) thickness of fill material applied within annulus flush with top surface of floor or sole plate. Min 5/8 in. (16 mm) thickness of fill material applied within annulus flush with bottom surface of ceiling or bottom surface of lower top plate. A min 1/4 in. (6 mm) bead of fill material is applied to area of point contact on both sides of floor ceiling assembly. Additional fill material forced within the interstices of tubing to max extent possible on the top surface of floor or sole plate and bottom surface of ceiling or lower plate.

TREMCO INC — TREMstop Intumescent Acrylic, FyreCaulk, or TREMstop IA+

\*Bearing the UL Classification Mark



Reprinted from the Online Certifications Directory with permission from Underwriters Laboratories Inc.  
Copyright © 2008 Underwriters Laboratories Inc. ®



Reprinted from the Online Certifications Directory with permission from Underwriters Laboratories Inc.  
Copyright © 2008 Underwriters Laboratories Inc. ®