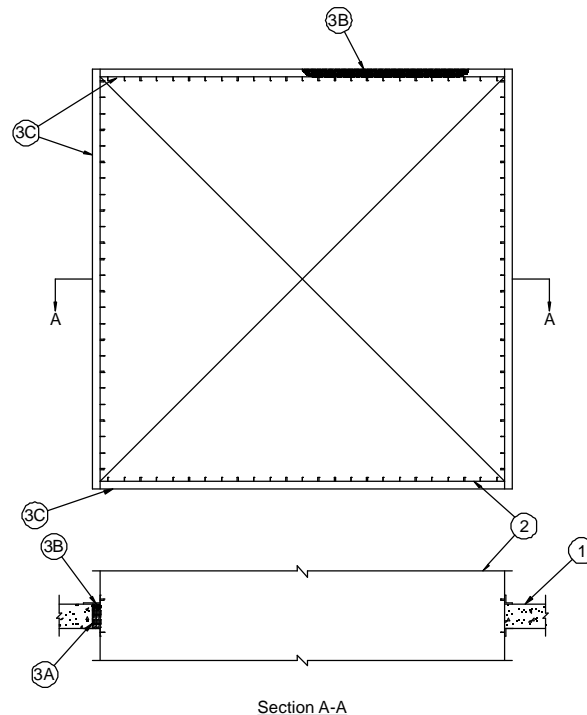


## System No. C-AJ-7136

August 2008  
 F Rating — 2 Hr  
 T Rating — 0 Hr  
 (UL/cUL)



1. **Floor or Wall Assembly** — Min 6 in. (152 mm) thick reinforced lightweight or normal weight (100-150 pcf or 1600-2400 kg/m<sup>3</sup>) concrete. Wall may also be constructed of any UL Classified **Concrete Blocks**\*. Max size of opening is 73.7 sq ft (6.8 m<sup>2</sup>) with a max width of 104 in. (264 cm).  
 See **Concrete Blocks** (CAZT) category in Fire Resistance Directory for names of manufacturers
2. **Steel Duct** — Max 100 in. by 100 in. (2.54 m by 2.54 m) by No. 18 gauge (or heavier) galv steel duct to be installed either concentrically or eccentrically within the firestop system. The duct shall be reinforced in accordance with SMACNA construction standards. The space between the steel duct and periphery of opening shall be min 0 in. (point contact) to max 2 in. (51 mm). Steel duct to be rigidly supported on both sides of the floor or wall assembly.
3. **Firestop System** — The firestop system shall consist of the following:
  - A. **Packing Material** — Min 4-3/4 in. (121 mm) thickness of min 4 pcf (64 kg/m<sup>3</sup>) mineral wool batt insulation firmly packed into opening as a permanent form. Packing material to be recessed from top surface of floor or both surfaces of wall to accommodate the required thickness of fill material.
  - B. **Fill, Void or Cavity Material\* — Sealant** — Min 1 in. (25 mm) thickness of fill material applied within annulus flush with top surface of floor, or min 5/8 in. (16 mm) thickness of fill material applied within annulus flush with both surfaces of wall. Min 1/2 in. (13 mm) diam bead of fill material shall be applied at the point contact locations between duct and opening at top surface of floor or both surfaces of wall.  
**TREMCO INC** — TREMstop IA+, Fyre-Sil or Fyre-Sil SL (in floors only)
  - C. **Steel Retaining Angles** — Min No. 10 gauge (0.125 in. or 3 mm) thick galv steel angles sized to lap steel duct a min of 2 in. (51 mm) and lap floor or wall surfaces a min of 2 in. (51 mm). Angles attached to steel duct on both sides of floor or wall with min No. 10 steel sheet metal screws spaced a max of 1 in. (25 mm) from each end of steel duct and spaced a max of 4 in. (102 mm) OC.

\*Bearing the UL Classification Mark



Reprinted from the Online Certifications Directory with permission from Underwriters Laboratories Inc.  
 Copyright © 2008 Underwriters Laboratories Inc. ®