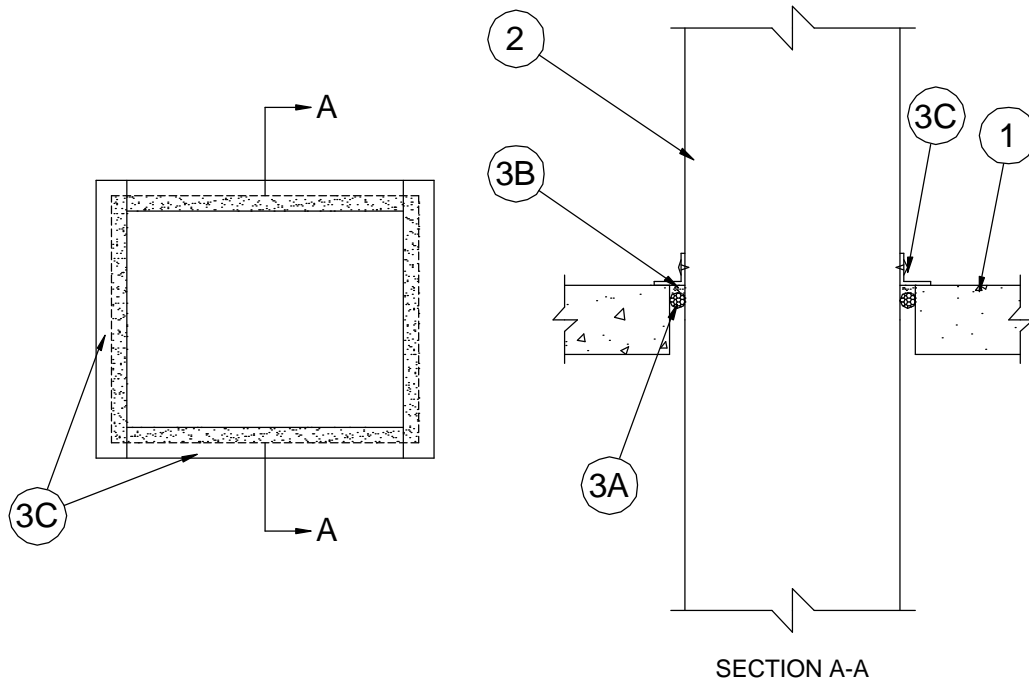


System No. C-AJ-7002

August 2008
F Rating — 3 Hr
T Rating — 0 Hr
(UL)



1. **Floor or Wall Assembly** — Min 4-1/2 in. (114 mm) thick reinforced lightweight or normal weight (100-150 pcf (1600-2400 kg/cu meter)) concrete. Wall may also be constructed of any UL Classified **Concrete Blocks***. Max area of opening is 320 sq in. (2060 sq cm) with max dimension of 20 in. (508 mm).

See **Concrete Blocks** (CAZT) category in the Fire Resistance Directory for names of manufacturers.

2. **Steel Duct** — Nom 14 by 18 in. (356 by 457 mm) (or smaller) No. 28 gauge (or heavier) steel duct. One duct to be installed within the firestop system. The annular space between duct and periphery of opening shall be a min of 3/4 in. (19 mm) to a max of 1-1/4 in. (32 mm). Steel duct to be rigidly supported on both sides of floor or wall assembly.

3. **Firestop System** — The firestop system shall consist of the following:

A. **Packing Material** — (Optional) - Foam backer rod firmly packed into opening as a permanent form. Packing material to be recessed from top surface of floor or both surfaces of wall as required to accommodate the required thickness of fill material.

B. **Fill, Void or Cavity Material* - Caulk** — Min 1/2 in. (13 mm) thickness of fill material applied within the annulus, flush with top surface of floor or with both surfaces of wall.

TREMCO INC — TREMstop Intumescent Acrylic, TREMstop IA+

C. **Retaining Angles** Min 16 gauge (0.064 in.) (1.6 mm) galv steel angles sized to lap duct a min of 2 in. (51 mm) and lap periphery of opening a min of 1 in. (25 mm). Angles attached to all four sides of steel duct on top surface of floor or both surfaces of wall with No. 10 (or larger) steel sheet metal screws spaced 1 in. (25 mm) from each end and max 6 in. (152 mm) OC.

*Bearing the UL Classification Mark



Reprinted from the Online Certifications Directory with permission from Underwriters Laboratories Inc.
Copyright © 2008 Underwriters Laboratories Inc. ®