

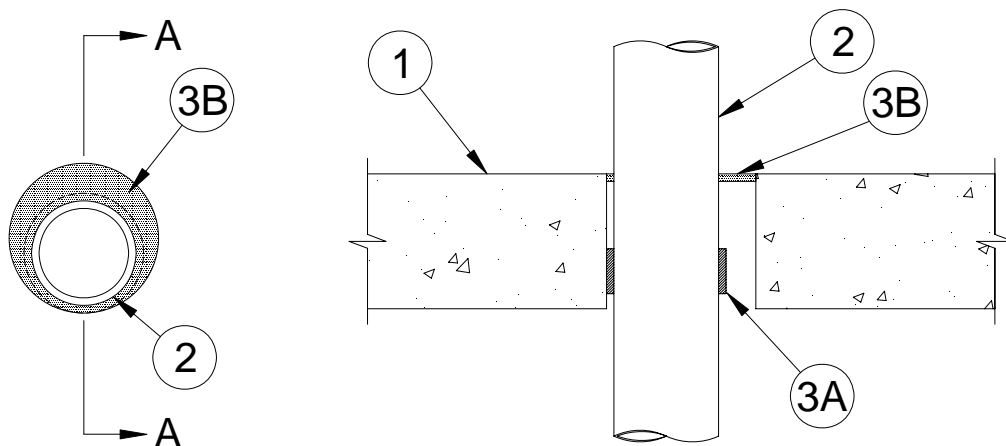
## System No. C-AJ-2621

January 21, 2009

F Rating — 2 Hr

T Rating — 2 Hr

(UL/cUL)



### Section A-A

1. **Floor or Wall Assembly** — Min 4-1/2 in. (114 mm) thick reinforced lightweight or normal weight (100-150 pcf or 1600-2400 kg/m<sup>3</sup>) concrete. Wall may also be constructed of any UL Classified Concrete Blocks\*. Max diam of opening is 5 in. (127 mm).  
See Concrete Blocks (CAZT) category in the Fire Resistance Directory for names of manufacturers.
2. **Through-Penetrant** — One nonmetallic pipe or conduit installed within the firestop system. The annular space between the penetrant and the periphery of the opening shall be min 1/4 in. (6 mm) to max 1-1/4 in. (32 mm). Pipe to be rigidly supported on both sides of floor or wall assembly. The following types and sizes of nonmetallic pipes may be used:
  - A. **Polyvinyl Chloride (PVC) Pipe** — Nom 3 in. (76 mm) diam (or smaller) Schedule 40 solid core PVC pipe for use in closed (process or supply) or vented (drain, waste or vent) piping systems.
  - B. **Chlorinated Polyvinyl Chloride (CPVC) Pipe** — Nom 3 in. (76 mm) diam (or smaller) SDR 13.5 CPVC pipe for use in closed (process or supply) piping systems.
  - C. **Rigid Nonmetallic (RNC) Conduit** — Nom 3 in. (76 mm) diam (or smaller) Schedule 40 PVC conduit installed in accordance with the National Electrical Code (NFPA No. 70).
3. **Firestop System** — The firestop system shall consist of the following:
  - A. **Fill, Void or Cavity Material\* - Wrap Strip** — Nom 1/4 in. (6 mm) thick by 1-1/2 in. (38 mm) wide intumescent wrap strip. The wrap strip is continuously wrapped around the outer circumference of the pipe once and slid into the annular space and held in place with a layer of min 2-1/2 in. (64 mm) wide aluminum foil tape. The bottom edge of the wrap strip shall be recessed max 1/2 in. (13 mm) from the bottom surface of the concrete floor. In walls, the wrap strip shall be installed on both sides of the wall such that the exposed edge of the wrap strip is recessed 1/4 in. (6 mm) from each side of the wall.  
TREMCO INC — TREMstop SuperStrip
  - B. **Fill, Void or Cavity Material\* - Sealant** — Min 1/4 in. (6 mm) thickness of fill material applied within the annulus, flush with top surface of floor or with both surfaces of wall.  
TREMCO INC — Fyre-Sil or TREMstop IA+

\*Bearing the UL Classification Mark



Reprinted from the Online Certifications Directory with permission from Underwriters Laboratories Inc.  
Copyright © 2008 Underwriters Laboratories Inc. ®