

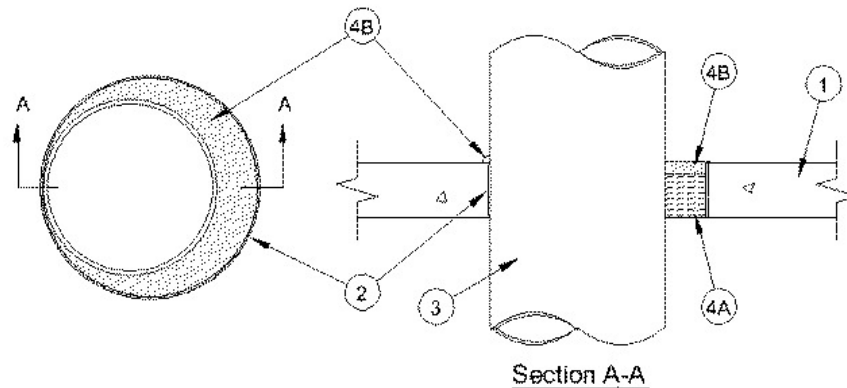
## System No. C-AJ-1529

August 2008

F Rating – 2 Hr

T Rating – 0 Hr

L Rating at Ambient – Less Than 1 CFM/sq ft  
(UL/cUL)



- Floor or Wall Assembly** - Min 2-1/2 in. (64 mm) thick reinforced lightweight or normal weight (100-150 pcf or 1600-2400 kg/m<sup>3</sup>) concrete floor or min 5 in. (127 mm) thick reinforced lightweight or normal weight concrete wall. Wall may also be constructed of any UL Classified **Concrete Blocks\***. Max diam of opening is 10-1/2 in. (267 mm).  
See **Concrete Blocks** (CAZT) category in the Fire Resistance Directory for names of manufacturers.
- Metallic Sleeve** (Optional) – Cylindrical sleeve fabricated from min 0.013 in. (0.330 mm) thick (No. 30 gauge) galv steel sheet and having a min 1 in. (25 mm) lap along the longitudinal seam. Sleeve to be flush with top and bottom surfaces of floor or both surfaces of wall. Sleeve to be installed by coiling the sheet metal to a diam smaller than the through opening, inserting the coil through the opening and releasing the coil to let it uncoil against the opening in the floor or wall.
- Through Penetrants** - One metallic pipe, conduit or tubing to be installed either concentrically or eccentrically within the firestop system. The space between pipe, conduit or tubing and periphery of opening shall be min 0 in. (point contact) to max 1-7/8 in. (48 mm). Pipe, conduit or tubing to be rigidly supported on both sides of floor or wall assembly. The following types and sizes of metallic pipes, conduits or tubing may be used:
  - Steel Pipe** - Nom 8 in. (203 mm) diam (or smaller) Schedule 10 (or heavier) steel pipe.
  - Iron Pipe** - Nom 8 in. (203 mm) diam (or smaller) cast or ductile iron pipe.
  - Conduit** - Nom 4 in. (102 mm) diam (or smaller) steel electrical metallic tubing or nom 4 in. (102 mm) diam (or smaller) steel conduit.
  - Copper Tubing** - Nom 4 in. (102 mm) diam (or smaller) Type L (or heavier) copper tubing.
  - Copper Pipe** - Nom 4 in. (102 mm) diam (or smaller) Regular (or heavier) copper pipe.
- Firestop System** - The firestop system shall consist of the following:
  - Packing Material** - Min 2 in. (51 mm) thickness of 4 pcf (64 kg/m<sup>3</sup>) mineral wool batt insulation firmly packed into opening as a permanent form. Packing material to be recessed from top surface of floor or from both surfaces of wall to accommodate the required thickness of fill material.
  - Fill, Void or Cavity Material\* – Caulk** - Min 1/2 in. (13 mm) thickness of fill material applied to completely fill annulus and lap min 1/4 in. (6 mm) onto top surface of floor or both surfaces of wall assembly. At the point contact location, a min 3/8 in. (10 mm) diam bead of sealant shall be applied at the concrete/pipe interface on the top surface of floor or on both surfaces of wall assembly.

**TREMCO INC** – TREMstop Intumescent Acrylic, TREMstop IA+, or FyreCaulk

\*Bearing the UL Classification Mark



Reprinted from the Online Certifications Directory with permission from Underwriters Laboratories Inc.  
Copyright © 2008 Underwriters Laboratories Inc. ®



Reprinted from the Online Certifications Directory with permission from Underwriters Laboratories Inc.  
Copyright © 2008 Underwriters Laboratories Inc. ®