

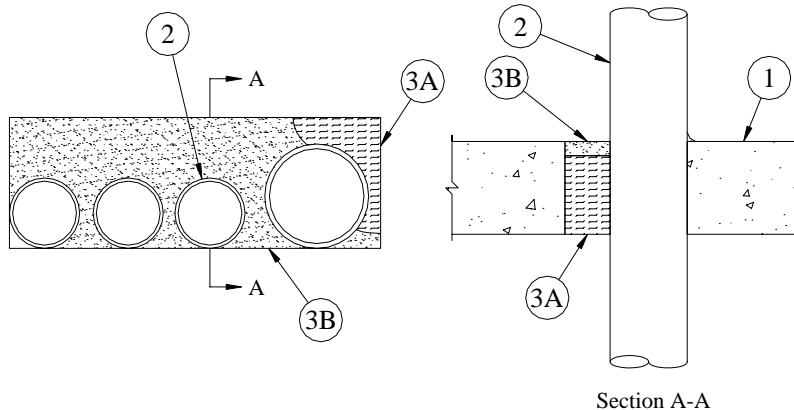
System No. C-AJ-1448

October 27, 2008

F Ratings — 2 and 3 Hr

T Rating — 0 Hr

(UL/cUL)



1. **Floor or Wall Assembly** — Min 4-1/2 in. thick reinforced lightweight or normal weight (100-150 pcf) concrete floor. Wall may also be constructed of any UL Classified Concrete Blocks*. Max area of opening is 192 sq in. with a max dimension of 24 in.

See Concrete Blocks (CAZT) category in the Fire Resistance Directory for names of manufacturers.

2. **Through Penetrants** — One or more pipes, conduits or tubing to be installed within the opening. The space between the pipes, conduits or tubes shall be min 1 in. to max 2 in. The annular space between the pipes, conduits or tubing and the periphery of the opening shall be min 0 in. (point contact) to max 3-7/8 in. Pipes, conduits or tubing to be rigidly supported on both sides of floor or wall assembly. The following types and sizes of metallic pipes, conduits or tubing may be used:

- A. **Steel Pipe** — Nom 8 in. diam (or smaller) Schedule 5 (or heavier) steel pipe.
- B. **Iron Pipe** — Nom 8 in. diam (or smaller) cast or ductile iron pipe.
- C. **Conduit** — Nom 4 in. diam (or smaller) steel electrical metallic tubing (EMT) or nom 6 in. diam (or smaller) rigid conduit.
- D. **Copper Pipe** — Nom 4 in. diam (or smaller) Regular (or heavier) copper pipe.
- E. **Copper Tube** — Nom 4 in. diam (or smaller) Type L (or heavier) copper tube.

3. **Firestop System** — The firestop system shall consist of the following:

- A. **Forming Material** — Min 4 in. thickness of 4 pcf mineral wool batt insulation tightly packed into the annular space, recessed ½ in. from top surface of floor or both surfaces of wall to accommodate fill material (Item 3B). The insulation is formed from one piece, cut to the shape of the through opening, and tightly packed with a 50 percent compression in the width direction. Additional pieces of insulation tightly packed in to fill any remaining voids. Packing material recessed from top surface of floor or both surfaces of wall unit as required to accommodate fill material (Item 3B).
- B. **Fill, Void or Cavity Material*- Caulk** — Min 1/2 in. thickness of fill material applied within annulus, flush with top surface of floor assembly or both surfaces of wall assembly. At point contact locations, min 1/4 in. diam bead of fill material applied at metallic pipe/concrete interface on top surface of floor or on both surfaces of wall.

TREMCO INC — TREMstop Intumescent Acrylic, TREMstop IA+ or FyreCaulk

The F Rating of the firestop system is 2 hr when the FyreCaulk sealant is used.

*Bearing the UL Classification Mark



Reprinted from the Online Certifications Directory with permission from Underwriters Laboratories Inc.
Copyright © 2008 Underwriters Laboratories Inc. ®