

Product Description

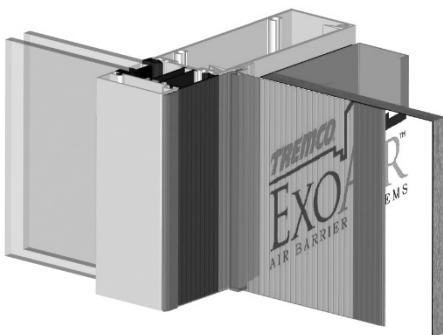
Proglaze® ETA System 2 is comprised of pre-engineered, finished aluminum and silicone materials used as the transition assembly between the window or wall system and adjacent air and vapor barrier materials. The system assembly is mechanically attached to the window and/or curtain wall's structural framing to ensure a durable connection and seal. Proglaze ETA System 2 is comprised of the following components:

- 1.) Silicone Rubber Extrusion (SRE): Extruded, 40 durometers, translucent silicone, with an off-set lock-in dart. The Silicone Extrusion is available in 8" (203.2 mm) lengths and is packaged in 50 linear feet coils (size shown on page 2). For physical properties refer to Tremco's translucent Silicone Extruded Sheet data sheet.
- 2.) Silicone Rubber Corners (SRC): Pre-molded, 40 durometers, translucent silicone, with an off-set lock-in dart. Dart is off-set 1.5" (38 mm) to allow a lap joint to be made with the Silicone Rubber Extrusion (SRE).
- 3.) Extruded Aluminum Adaptor (EAA): Alodine finished, with pre-engineered race for receiving silicone lock-in dart. The Extruded Aluminum Adaptor is supplied in 5' lengths with predrilled holes every 6" on center.
- 4.) Tremco 440 Tape: 100% solid Polyisobutylene-cross linked butyl preformed sealant. Used to temporarily hold metal adaptor in position before mechanical fasteners are installed and act as secondary air and water seal is pre-applied to the metal adaptor. For physical properties refer to Tremco's 440 Tape data sheet.
- 5.) Spectrem® 1 Silicone Sealant: High movement, ultra-low modulus sealant utilized as a compatible adhesive and wet seal. For physical properties refer to Tremco's Spectrem 1 data sheet.

Basic Uses

Proglaze ETA is a transition assembly for bridging continuously between the window and/or curtain wall openings and the adjacent air and vapor barrier materials. The off-set dart design shields the window frame preventing air and water infiltration. The system's design absorbs thermal movement and wind-loading stresses.

The Proglaze ETA thin cross-section and low durometer allows the system to span and seal across irregular window geometries. The translucent silicone material allows the installer and/or inspector to see through the gasket to verify the recommended amount of sealant is properly applied to ensure an effective seal is achieved, while the ribs of the gasket's design ensures a minimum sealant thickness.



Proglaze ETA System 2 Assembly

The assembly is fully compatible with most window sealants and glazing materials and bonds to the face of ExoAir® 110, ExoAir 110AT, and ExoAir TWF and to the cured surface of ExoAir 130, ExoAir 230, and Securock ExoAir 430. Not intended as a seal to untested substrates.

Availability

Please contact our Customer Service Department in Beachwood, Ohio at 800-321-7906, or Toronto at 800-363-3213.

Applicable Standards

Proglaze ETA System 2 has been tested as a component of several wall assemblies meeting ASTM E2357, the Standard Test Method for Determining Air Leakage of Air Barrier Assemblies, and NFPA 285, the Standard Fire Test Method for Evaluation of Fire Propagation Characteristics of Exterior Non-Load-Bearing Wall Assemblies Containing Combustible Components.

Limitations

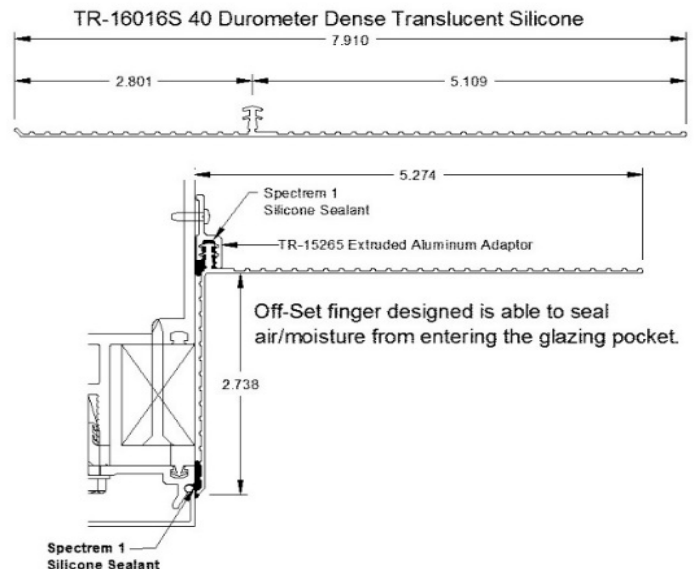
- Not intended to be utilized in a permanently exposed condition unless approved by Tremco.
- Not intended as a seal to untested substrates.

Warranty

Tremco warrants its Products to be free of defects in materials but makes no warranty as to appearance or color. Since methods of application and on-site conditions are beyond our control and can affect performance, Tremco makes no other warranty, expressed or implied including warranties of MERCHANTABILITY and FITNESS FOR A PARTICULAR PURPOSE with respect to Tremco Products. Tremco's sole obligation shall be, at its option, to replace or refund the purchase price of the quantity of Tremco Products proven to be defective, and Tremco shall not be liable for any loss or damage.

Please refer to our website at www.tremcosealants.com for the most up-to-date Product Data Sheets.

NOTE: All Tremco Safety Data Sheets (SDS) are in alignment with the Globally Harmonized System of Classification and Labelling of Chemicals (GHS) requirements.



TYPICAL PHYSICAL PROPERTIES

PROPERTY	TEST METHOD	TYPICAL RESULTS
Color		Translucent. Custom colors are available
Flame Spread	ASTM E84	15
Smoke Development	ASTM E84	300
Harness, Type "A" Durometer	ASTM D2240	43
Compression Set	ASTM D395	22 hr at 212°F (100°C) 14.5%
Ozone Resistance	ASTM D1149	300 mPa, 100 hr at 158°F (70°C) 20% elongation. No cracks
Tensile Strength	ASTM D412	1130 psi (7.8 mPa)
Ultimate Elongation	ASTM D412	550%
Tear Strength	ASTM D624	114 lb/in (19.9kN/m)
Low Temp. Flexibility	ASTM D746	-40°F (-40°C). Pass

SKU	Description	Width	FT/Case	Stock Class
ETA16016S4Z	ETA SYS2- 8" SNGL RIB LINEAL W/OFST DRT	8"	50	Special
ETA15265 METAL	ETA ACC METAL W/ HOLES AND TAPE	n/a	50 (10 pcs, 5' long/piece)	Standard
ETA SYSTEM 2A	ETA SYS2- 8" 2D MOLDED CORNER W/OFST DRT	Corner	4 corners/bag	Standard
<p>Proglaze ETA System 2 Molded Corner ETA-16027S</p>				

0220/PETASYS2DS-GL

Tremco Commercial Sealants & Waterproofing

3735 Green Rd
Beachwood OH 44122
216.292.5000 / 800.321.7906

1451 Jacobson Ave
Ashland OH 44805
419.289.2050 / 800.321.6357

220 Wichsteed Ave
Toronto ON M4H1G7
416.421.3300 / 800.363.3213

1445 Rue de Coulomb
Boucherville QC J4B 7L8
514.521.9555

