

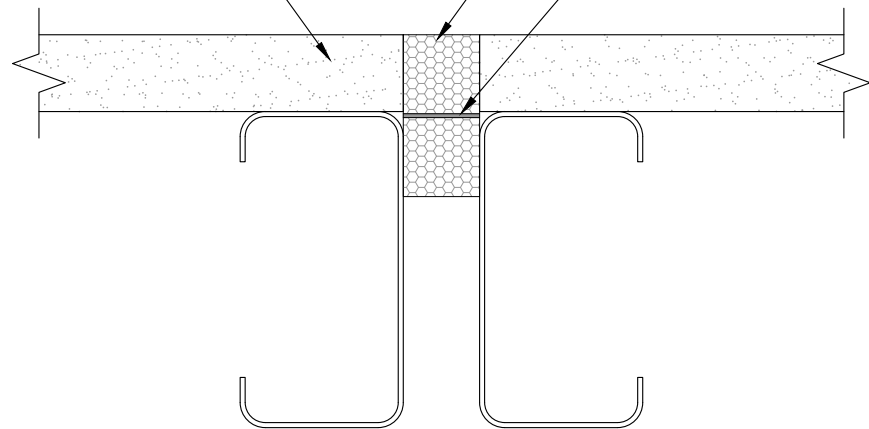
ELEVATION VIEW

WILLSEAL PF100

PRE-FABRICATED WALL

WILLSEAL PF100

INTEGRAL BARRIER



PLAN VIEW

*The architecture, engineering, and design of the project using the Willseal products are the responsibility of the project's design professional. All products and systems must comply with local building codes and standards. This detail is for general information and guidance only and Willseal specifically disclaims any liability for the use of this detail. The project design professional determines, in its sole discretion, whether this detail or a functionally equivalent detail is best suited for the project. This detail is subject to change without notice. Contact Willseal to ensure you have the most recent version.*

**PF100**



www.willseal.com  
Willseal Technical Support: 800-274-2813

Detail: Willseal PF100 at Pre-Fabricated Wall Joint, Primary Seal

Drawn by: KAB

Checked by: SP

Scale: NTS

Date: 1/14/2022

File Name:

WPF100-EJ-03



Construction Products Group

Tremco Construction Products Group companies: Dryvit Systems, Inc.; Nudura Inc.; Prebuck LLC; Schul International Co., LLC d/b/a/ Willseal; Tremco Incorporated