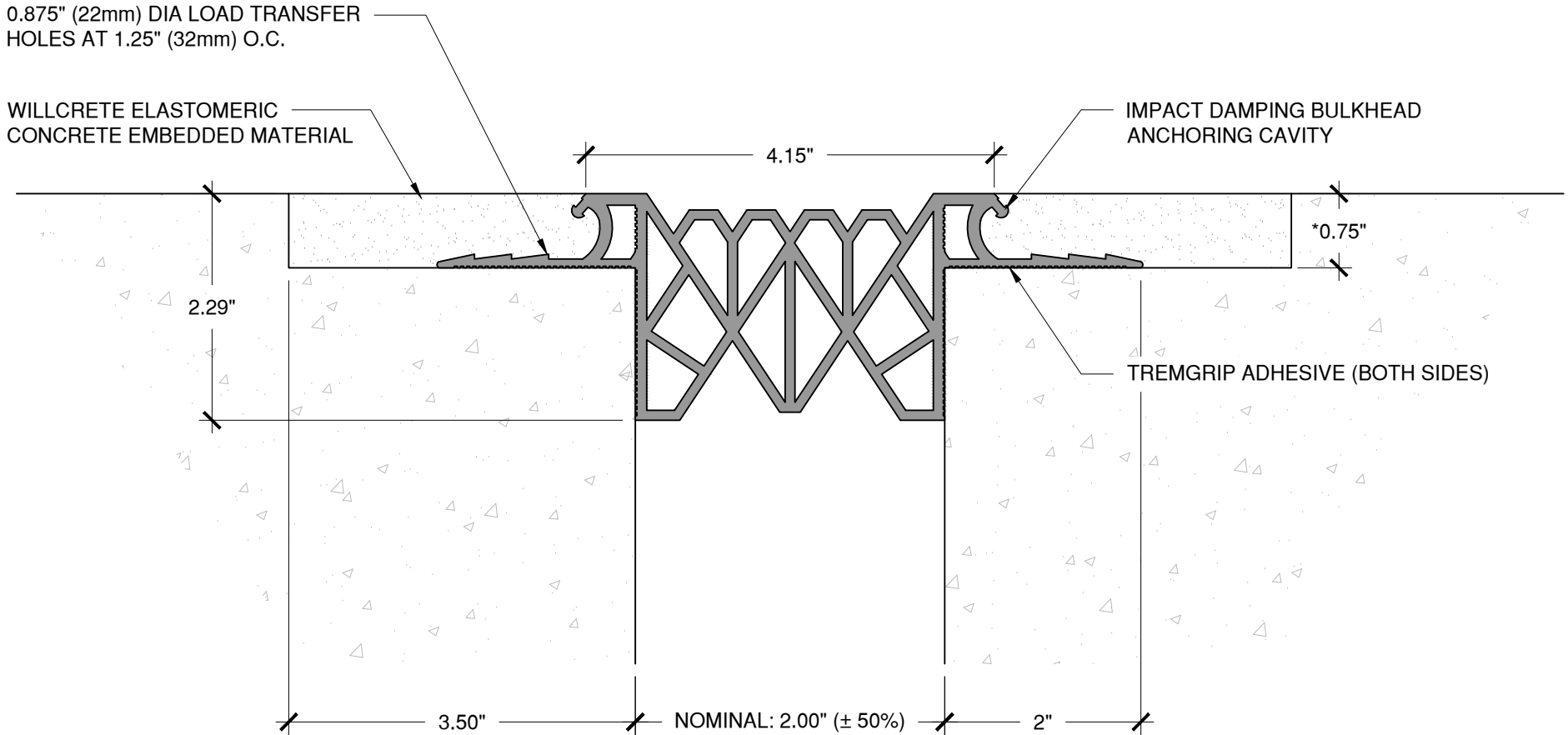


***IMPORTANT DIMENSION - ACHIEVE REQUIRED DEPTH BY EXACT FORMING, GRINDING, MILLING OR LEVELING BED**



This detail is for general informational purposes only. The project design professional determines, in its sole discretion, whether this detail or a functionally equivalent detail is best suited for the project with respect to any architecture, engineering, and design requirements, including any local building code requirements. If this document is not reviewed and the product is not approved for use by a licensed design professional, the customer agrees that the detail may contain substantive flaws requiring correction, and hereby releases Schul International Co., LLC d/b/a Willseal from any and all liability related to the design and installation of the product. This detail is subject to change without notice. Contact Willseal to ensure you have the most recent version.

Willseal WJS

Detail: Willseal WJS-200 Floor to Floor Expansion Joint			File Name:
Drawn by: KAB	Checked by: AM	Scale: NTS	WJS-200-FF-01
Revision #: 00	Revised by: -	Date: 2/29/2024	



Willseal Technical Support: 800-274-2813

