

Vulkem 345 or 950NF intermediate coat

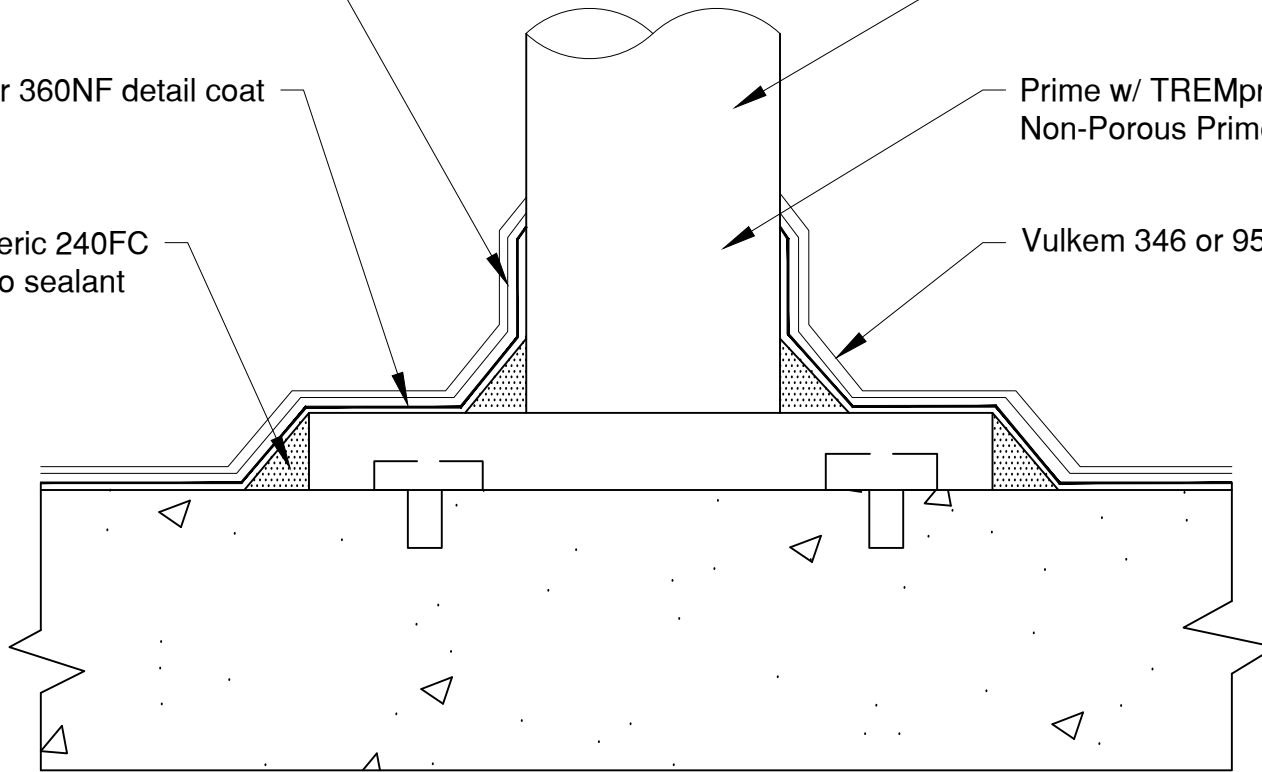
Vulkem 350NF-R or 360NF detail coat

Dymonic 100, Dymeric 240FC
or approved Tremco sealant
cant bead

Metal post

Prime w/ TREMprime
Non-Porous Primer

Vulkem 346 or 951 NF top coat



Treatment Of Metal Posts

Note: Vulkem 950NF may be used as topcoat in areas with no U.V.

Drawing Number

DC-38

Date: 07/09/10

Detail

Deck Coating Details

Scale: None

Drawn by: K.Thorpe

3735 Green Road * Beachwood, OH 44122
Phone : 866-209-2404 * Fax: 216-766-5535

TREMCO[®]
www.tremco sealants.com