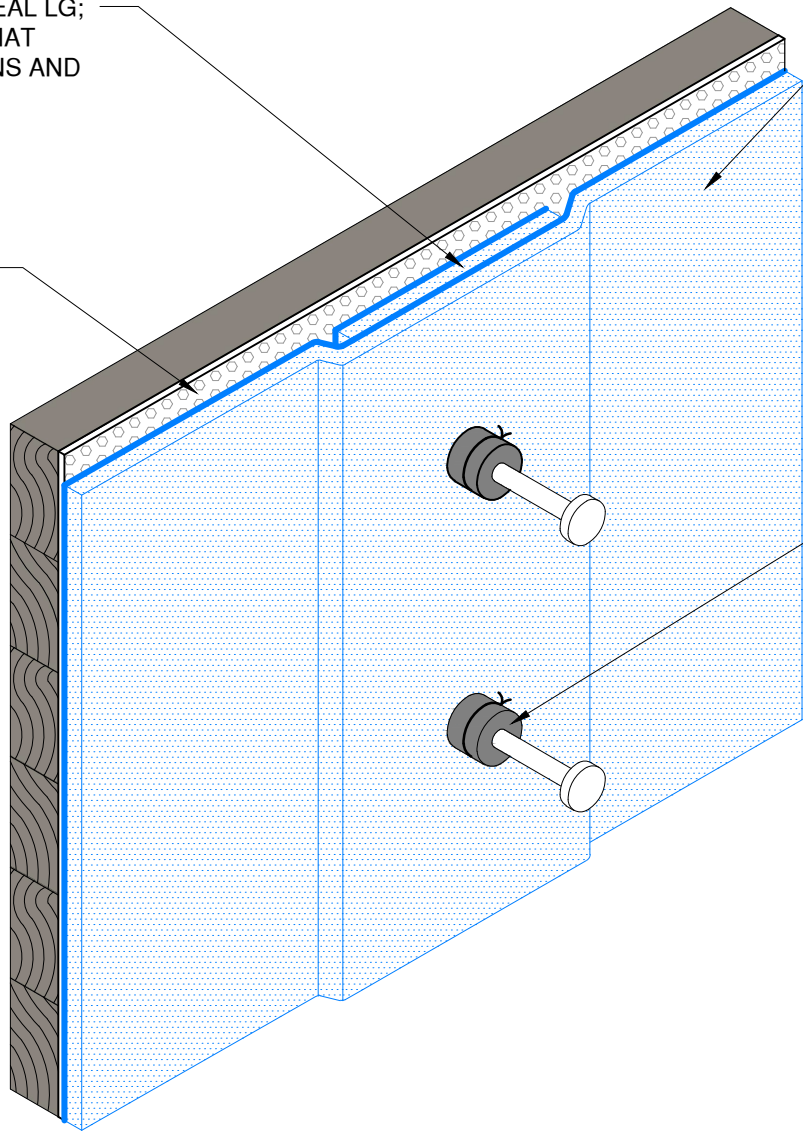


12" WIDE DETAIL STRIP OF PARASEAL LG;
CUT SMALL HOLES INTO SHEET THAT
CORRESPOND TO STUD LOCATIONS AND
SLIP SHEET OVER STUDS

TREMDRAIN, AS SPECIFIED



INSTALL PRIMARY PARASEAL LG SHEET
BY CUTTING SMALL HOLES INTO SHEET
THAT CORRESPOND TO STUD
LOCATIONS AND SLIP SHEET OVER
STUDS

SECURE WITH WIDE CROWN BOX
STAPLES EVERY 3" O.C. AND WITH NAILS
AND WASHERS EVERY 24" O.C.

WRAP STUD WITH SUPERSTOP AND
SECURE IN PLACE USING TIE-WIRE

NOTES: PARASEAL PRODUCTS REQUIRE A MIN 24 PSF OF
COMPACTION/CONFINEMENT IN ORDER TO FUNCTION AS DESIGNED.

NOT RECOMMENDED FOR USE IN SUBMERGED CONDITIONS.

The architecture, engineering, and design of the project using the Tremco products are the responsibility of the project's design professional. All products and systems must comply with local building codes and standards. This detail is for general information and guidance only and Tremco specifically disclaims any liability for the use of this detail. The project design professional determines, in its sole discretion, whether this detail or a functionally equivalent detail is best suited for the project. This detail is subject to change without notice. Contact Tremco to ensure you have the most recent version.

Paraseal LG Blind Side Walls



Tremco Technical Support: 866-209-2404

Detail: Paraseal LG at Studs or Form Ties

Drawn by: KAB

Checked by: SP/WH

Scale: NTS

Date: 3/4/2022

File Name:

BSW-LG-P-01



Construction Products Group

www.tremcocpg.com