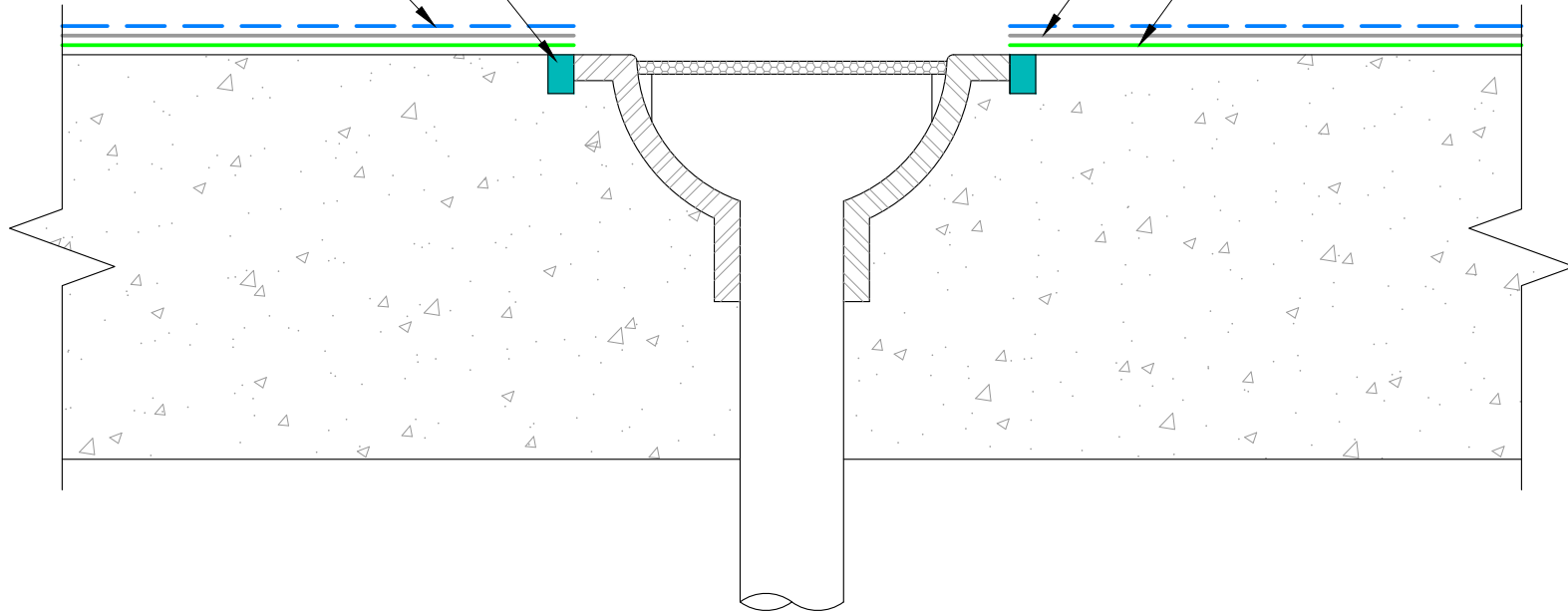


DYMONIC 100

VULKEM 951NF TOP COAT

VULKEM 950NF OR 951NF  
INTERMEDIATE COAT W/AGGREGATE

VULKEM 350FC BASE COAT



NOTE: VULKEM 950NF MAY BE USED AS A TOPCOAT IN AREAS WITH NO U.V.

THERE ARE SEVERAL TECHNIQUES FOR INSTALLATION AROUND DRAINS. YOU MAY ALSO TAKE THE VULKEM MEMBRANE DOWN INTO THE DRAIN ASSEMBLY. THE DRAIN ASSEMBLY MUST BE BLOCKED IF THIS APPLICATION IS PREFERRED. THE METAL OR PLASTIC DRAIN SHOULD BE SCUFFED AND CLEANED AND PRIMED WITH TREMCO'S TREMPRIME NON POROUS PRIMER.

*The architecture, engineering, and design of the project using the Tremco products are the responsibility of the project's design professional. All products and systems must comply with local building codes and standards. This detail is for general information and guidance only and Tremco specifically disclaims any liability for the use of this detail. The project design professional determines, in its sole discretion, whether this detail or a functionally equivalent detail is best suited for the project. This detail is subject to change without notice. Contact Tremco to ensure you have the most recent version.*

**Vulkem 350FC Vehicular Coating**



Tremco Technical Support: 866-209-2404

Detail: Vulkem 350FC Vehicular System at Drain

Drawn by: KAB	Checked by: EL	Scale: NTS	Date: 1/17/2023
---------------	----------------	------------	-----------------

File Name:  
**350FC-V-D-01**



Construction Products Group

[www.tremcocpg.com](http://www.tremcocpg.com)