



TREMproof® 260
Blindside Wall System
Fluid-Applied, Below-Grade
Waterproofing Membrane



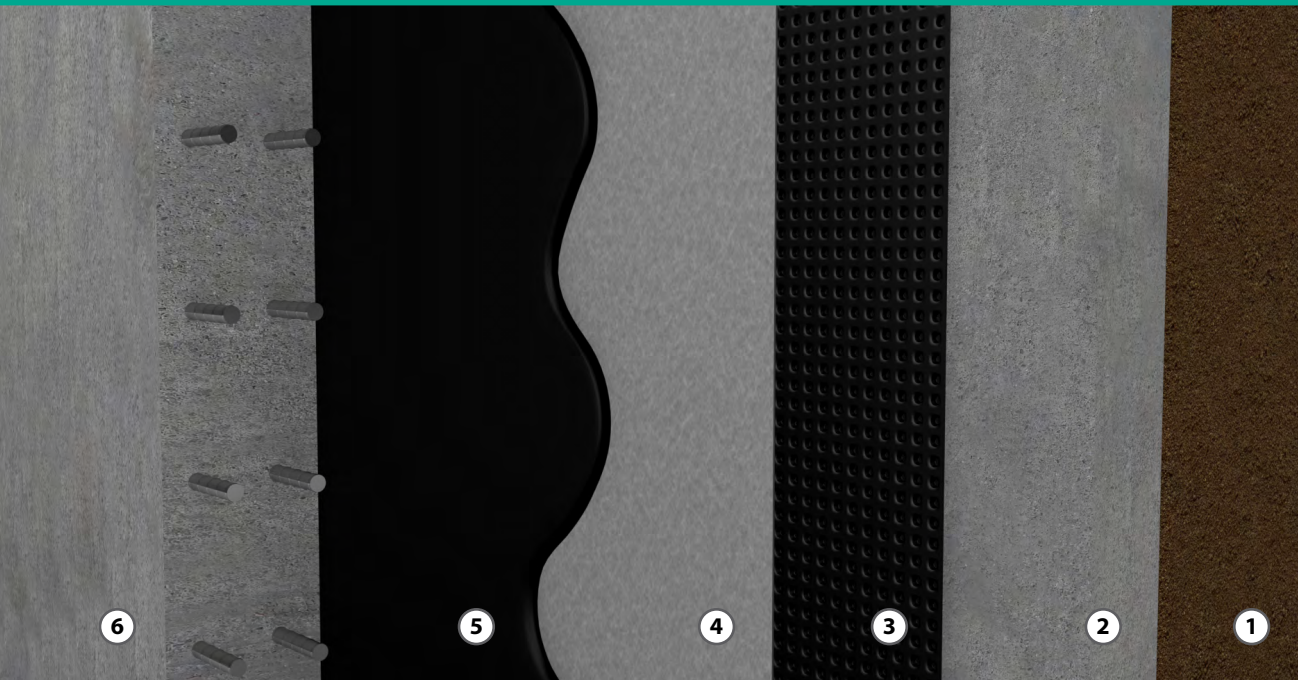
TREMproof® 260 **Blindside Wall System**

TREMproof® 260 Waterproofing Membrane is a polymer-enhanced, single-component, fluid-applied, asphalt emulsion, below-grade waterproofing membrane.

TREMproof 260 is a cost-effective waterproofing solution for unsubmerged blindside wall applications. It can be co-sprayed to speed the curing process, which allows for fast-tracking construction and reducing the potential for washout in the face of inclement weather.

TREMPROOF® 260 BLINDSIDE SYSTEM OVERVIEW

BLINDSIDE WALLS (CAST-IN PLACE AND SHOTCRETE)



System Components

1. Retained earth
2. Lagging wall
3. TREMDrain 6000
4. Tremco-Approved Carrier Sheet
5. TREMPROOF 260
6. Shotcrete / concrete

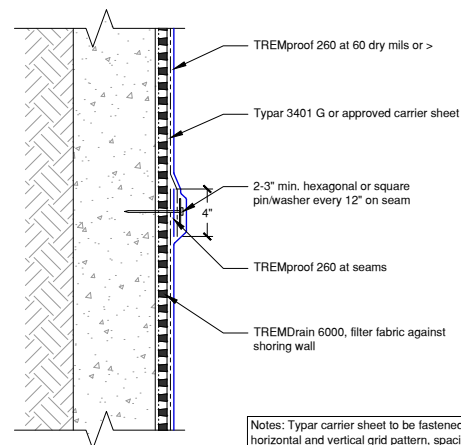
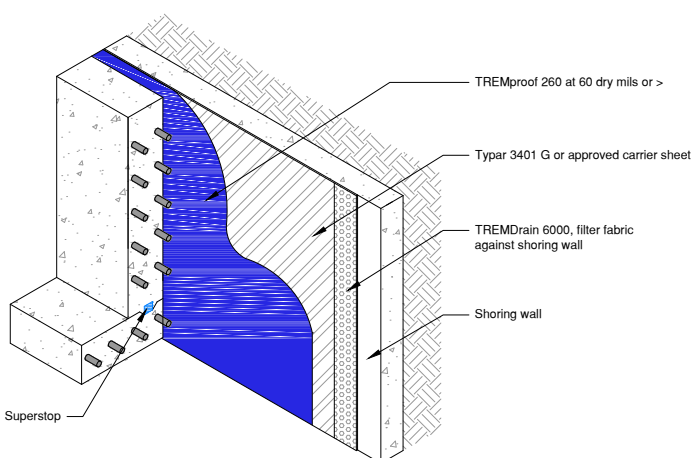
System Accessories (Not Shown)

1. Dymonic® 100
2. ExoAir® 110AT
3. TREMDrain® Total Drain
4. TREMDrain® Universal Tee

FEATURES AND BENEFITS

- Monolithic asphaltic membrane protects seams and seals penetrations, reducing the time required for detail work
- Exothermic reaction during concrete cure builds adhesion of the asphaltic membrane to the structure, creating a bonded waterproofing assembly, eliminating the potential for lateral water migration
- Extreme durability with exceptional elongation and crack-bridging characteristics
- Comprehensive on-site technical support and product knowledge expertise
- VOC-compliant

SYSTEM DETAILS



Notes: Typar carrier sheet to be fastened, pin/washer, every 4-5 feet on a horizontal and vertical grid pattern, spacing dependent on site conditions.
Not intended for submerged or hydrostatic head conditions