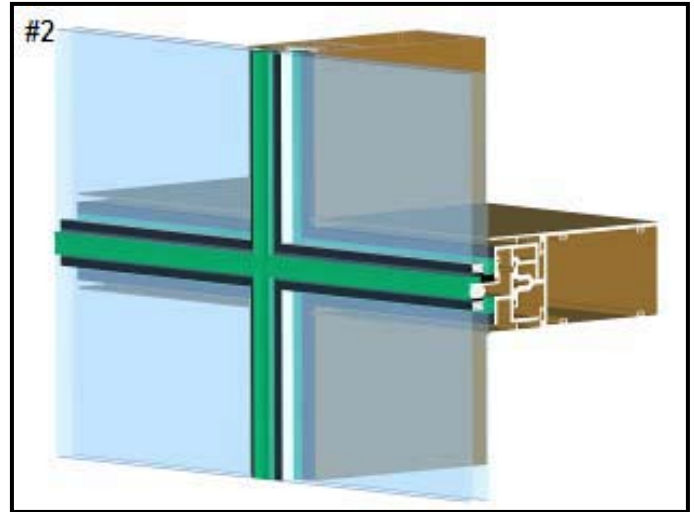
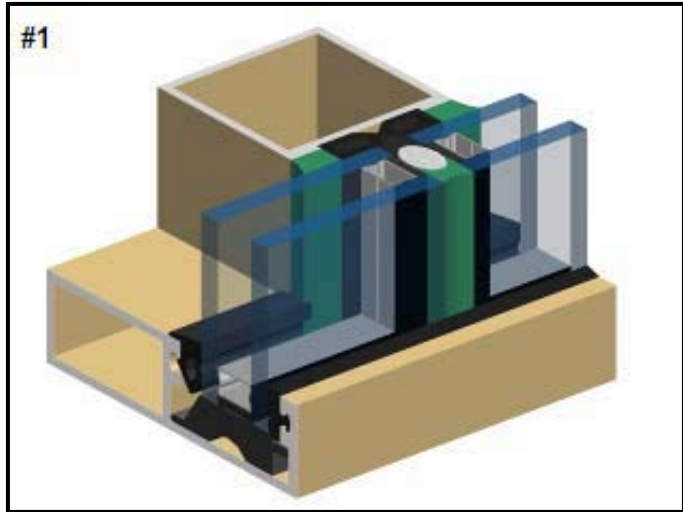




Structural Silicone Sealant Glazed Systems (SSG):



- Detail 1 is a 2-Sided structurally glazed inside set system.
- Detail 2 is a 4-Sided structurally glazed system.
- For repairs involving the dry glazing gaskets, please refer to [dry glazed systems](#).
- For repairs involving loss of adhesion or damage to the structural silicone tensile bead, please refer to Tremco's "Structural Glazing Procedures" document in section "Guide for Reglazing" to address this type of repair. Please contact [Tremco Design Engineering Group](#) for a copy of this document.

For more information on Tremco's Glazing and Facade Restoration Solutions, please visit our website at www.tremcosealants.com or contact your local Tremco Sales Representative.