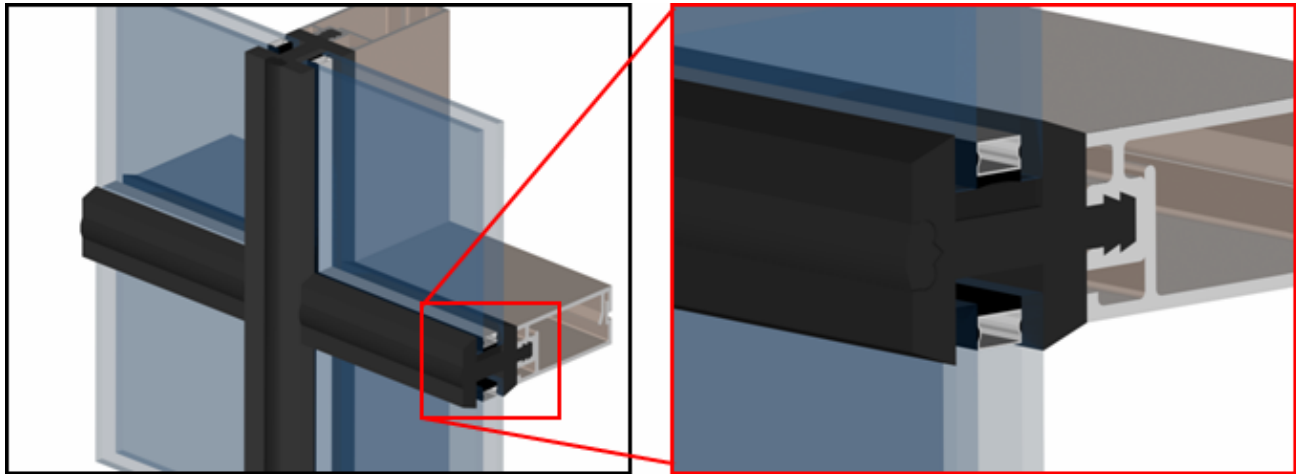
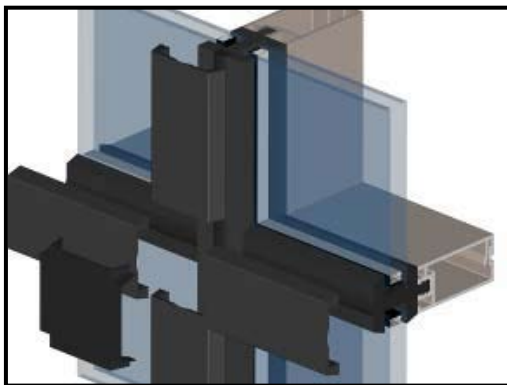


## Structural Lock-Strip Glazing Lock-Strip “Zipper Wall” System:

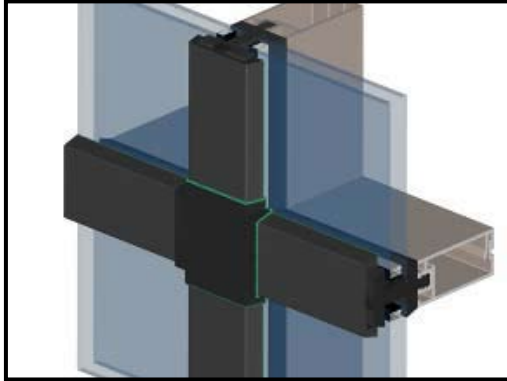


- Lock-Strip gaskets used in a curtain wall system are a structural member, which are designed to support and carry the loading of the glass units, while providing an air and water seal on the façade.
- These rubber extrusions are made from Neoprene rubber compounds, which over time will lose some of their sealing ability.
- The compound does not lend itself to be effectively wet sealed with liquid sealants because of compatibility issues.
- Testing must be done to confirm the gaskets still have the structural integrity to properly support the glass units under normal wind loading.



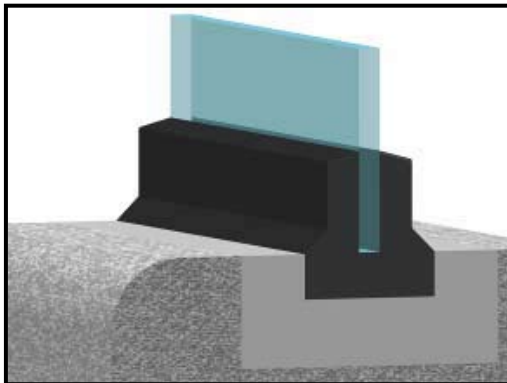
- Custom Repair Options: Extruded silicone gasket overlay. By applying custom silicone extrusions over the existing system and sealing the gasket from glass face to glass face creates an effective air and water barrier to prolong the life of the wall system.

For more information on Tremco’s Glazing and Façade Restoration Solutions, please visit our website at [www.tremcosealants.com](http://www.tremcosealants.com) or contact your local Tremco Sales Representative.

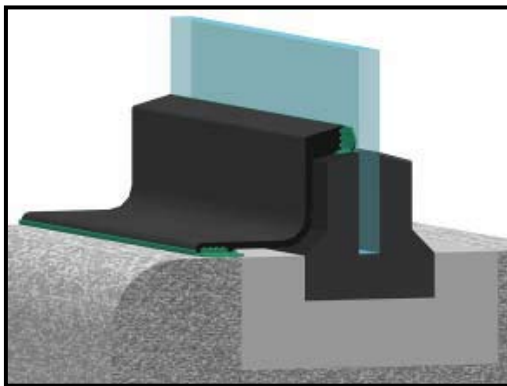


- This type of repair creates minimal disruption to the building occupants.
- Once complete the finished look mimics the system's original appearance with only minimal reduction in the reduced visible sightline.
- The replacement gaskets are adhered in place with Spectrem 1 silicone sealant.

**Structural Lock-Strip Glazing  
Lock-Strip Gasket in a Punched Opening:**

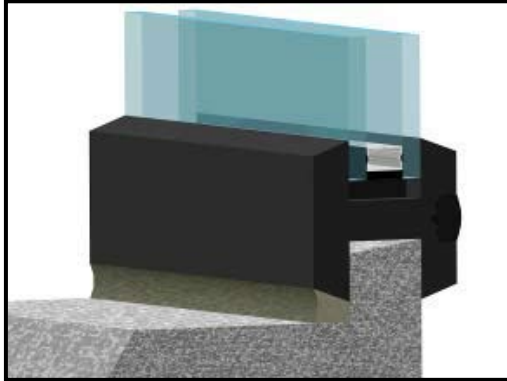


- Custom Repair Options: Extruded silicone gasket overlay. By applying custom silicone extrusion over the existing system and sealing the gasket from glass face to concrete creates an effective air and water barrier to prolong the life of the wall system.
- This Lock-Strip gasket is shown embedded into a PVC adaptor and the entire assembly is embedded into concrete.
- Overtime the structural gasket may loose some of its' sealing ability around the glass perimeter, thus allowing more air and water to enter.
- Testing must be done to confirm the gaskets still have the structural integrity to properly support the glass units under normal wind loading.

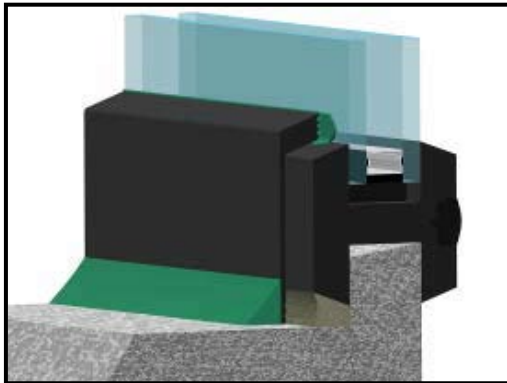


- This detail shows a custom flexible silicone extrusion being sealed to the glass face and bridging over the lock-strip gasket onto the concrete façade.
- These custom silicone gaskets can be extruded in any color and/or in a custom metallic finishes.

For more information on Tremco's Glazing and Facade Restoration Solutions, please visit our website at [www.tremcosealants.com](http://www.tremcosealants.com) or contact your local Tremco Sales Representative.



- This Lock-Strip gasket is shown connected directly to the precast concrete panel.
- Overtime the structural gasket may loose some of its' sealing ability around the glass perimeter and the perimeter sealant bead to loose its ability to maintain a proper seal.
- Testing must be done to confirm the gaskets still have the structural integrity to properly support the glass units under normal wind loading



- This detail shows a custom flexible silicone extrusion being sealed to the glass face and bridging over the lock-strip gasket onto the concrete façade, thus eliminating the need to replace and/or repair the perimeter sealant bead.
- These custom silicone gaskets can be extruded in any color and/or in custom metallic finishes.

- Another consideration is how to seal corners and metal intersections. This may require new custom gaskets to provide proper seals. Go to [SILICONE MOLDED SPLICE CONNECTIONS AND COMPONENTS](#) for more information.

For more information on Tremco's Glazing and Facade Restoration Solutions, please visit our website at [www.tremcosealants.com](http://www.tremcosealants.com) or contact your local Tremco Sales Representative.