

System No. WW-D-0044

October 01, 2004

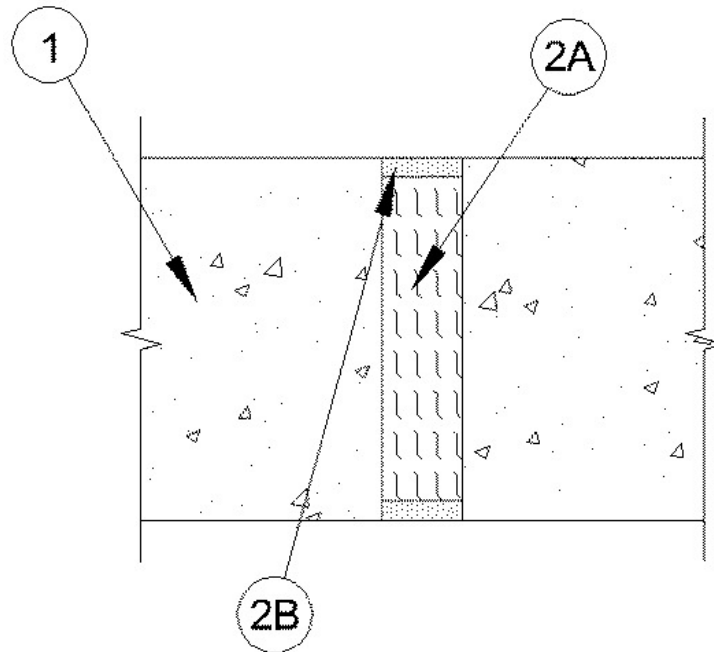
Assembly Rating — 2 Hr

L Rating at Ambient - Less than 1 CFM/Lin. Ft.

L Rating at 400 F - Less than 1 CFM/Lin. Ft.

Nominal Joint Width - 1 In.

Class II and III Movement Capabilities - 25% Compression and Extension
(UL/cUL)



- 1. Wall Assembly.** — Min 4-1/2 in. (114 mm) thick reinforced lightweight or normal weight (100-150 pcf 1600-2400 kg/cu meter) concrete. Wall may also be constructed of any UL Classified **Concrete Blocks***.
See **Concrete Blocks** (CAZT) category in the Fire Resistance Directory for names of manufacturers.
- 2. Joint System - Max width of joint (at time of installation of joint system) in 1 in. (25 mm).** The joint system is designed to accommodate a max 25 percent compression or extension from its installed width. — The joint system shall consist of the following:
 - A. Forming Material*** — Min 4.0 pcf (64 kg/cu meter) mineral wool insulation installed in joint opening as a permanent form. Pieces of batt cut to min width of 4 in. (102 mm) and installed edge-first into the joint opening, parallel with the joint direction, such that batt sections are compressed min 50 percent in thickness and that the compressed batt sections are recessed from each surface of wall as required to accommodate the required thickness of fill material. Adjoining lengths of batt to be tightly-butted with butted seams spaced min 24 in. (610 mm) apart along the length of the joint.
FIBREX INSULATIONS INC — FBX Safing Insulation
ROCK WOOL MANUFACTURING CO — Delta Board
 - B. Fill, Void or Cavity Material* (Caulk)** — Min 1/4 in. (6 mm) thickness of fill material applied within the joint, flush with each surface of wall.
TREMCO INC — TREMstop FyreSil

*Bearing the UL Classification Mark



Reprinted from the Online Certifications Directory with permission from Underwriters Laboratories Inc.
Copyright © 2008 Underwriters Laboratories Inc. ®