

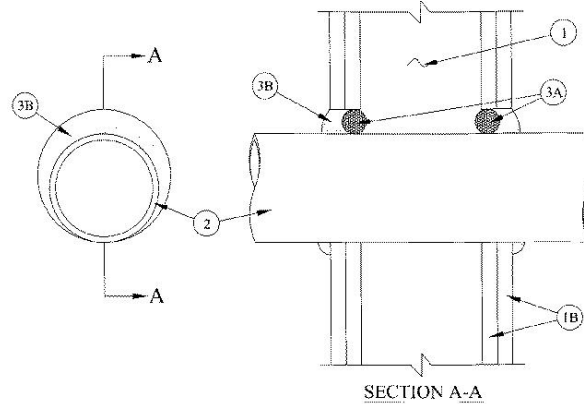
System No. W-L-7039

August 2008

F Rating — 1 and 2 Hr (See Item 1)

T Rating — 0 Hr

L Rating at Ambient - Less Than 1 CFM/sq ft
(UL/cUL)



- Wall Assembly** — The 1 or 2 hr fire-rated gypsum board/stud wall assembly shall be constructed of the materials and in the manner specified in the individual U300, U400 or V400 Series Wall and Partition Designs in the UL Fire Resistance Directory and shall include the following construction features:

- Studs** — Wall framing may consist of either wood studs or steel channel studs. Wood studs to consist of nom 2 by 4 in. (51 by 102 mm) lumber spaced 16 in. (406 mm) OC. Steel studs to be min 2-1/2 in. (64 mm) wide and spaced max 24 in. (610 mm) OC.
- Gypsum Board*** — One or two layers of nom 1/2 or 5/8 in. (13 or 16 mm) thick gypsum board as specified in the individual Wall and Partition Design. Max diam of opening is 17 in. (432 mm). Max area of rectangular opening is 81 in². (523 cm²) with max dimension of 9 in. (229 mm).

The hourly F Rating of the firestop system is equal to the hourly fire rating of the wall assembly in which it is installed.

- Steel Duct** — One duct to be installed within the firestop system. The annular space shall be as specified in the Table below. Duct to be rigidly supported on both sides of wall assembly. The following types and sizes of duct may be used.

- Max 16 in. (406 mm) diam No. 24 gauge (or heavier) galv steel vent duct.
- Max 16 in. (406 mm) diam No. 24 gauge (or heavier) spiral wound galv steel duct.
- Max 8 in. by 8 in. (203 by 203 mm) No. 26 gauge (or heavier) galv steel duct.

Type of Duct	Max Duct Size	Annular Space
Round	16 in. (406 mm) diam	Min 0 in. (point contact) to max 1 in. (25 mm)
Rectangular	8 by 8 in. (203 by 203 mm)	Nom 1/2 in. (13 mm)

- Firestop System** — The firestop system shall consist of the following:

- Packing Material** — (Optional) — Foam backer rod firmly packed into the opening as a permanent form. Packing material to be recessed from both surfaces of wall as required to accommodate the required thickness of fill material.
- Fill, Void or Cavity Material* — (Caulk)** — Min 1/2 in. (13 mm) thickness of fill material applied within the annulus, flush with both surfaces of wall. When annular space exceeds 1/2 in., min thickness of fill material is 5/8 in. (16 mm). For round ducts, additional fill material to be installed such that a min 3/8 in. crown is formed around the penetrating item.

TREMCO INC — TREMstop Intumescent Acrylic, FyreCaulk, or TREMstop IA+

*Bearing the UL Classification Mark



Reprinted from the Online Certifications Directory with permission from Underwriters Laboratories Inc.
Copyright © 2008 Underwriters Laboratories Inc. ®