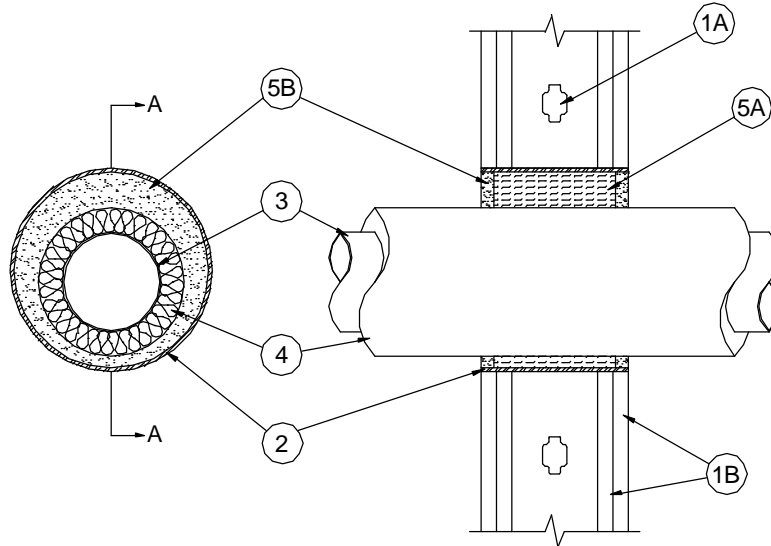


System No. W-L-5192

August 2008
F Rating — 2 Hr
T Rating — 3/4 Hr
(UL/cUL)



SECTION A-A

1. **Wall Assembly** — The 2 hr fire rated gypsum board/stud wall assembly shall be constructed of the materials and in the manner specified in the individual U400 series Wall and Partition Design in the UL Fire Resistance Directory and shall include the following construction features:
 - A. **Studs** — Wall framing may consist of either wood studs or steel channel studs. Wood studs to consist of nom 2 by 4 in. (51 by 102 mm) lumber spaced 16 in. (406 mm) OC. Steel studs to be min 2-1/2 in. (64 mm) wide steel channel studs spaced max 24 in. (610 mm) OC.
 - B. **Gypsum Board*** — Thickness, type, number of layers and fasteners as required in the individual Wall and Partition Design. Max diam of sleeved opening is 8 in. (203 mm).
2. **Steel Sleeve** — Schedule 10 (or heavier) steel pipe sleeve friction-fit into opening, flush with both surfaces of the wall.
3. **Through Penetrants** — One metallic pipe or tubing to be installed either concentrically or eccentrically within the firestop system. Pipe or tubing to be rigidly supported on both sides of wall assembly. The following types and sizes of metallic pipes or tubing may be used:
 - A. **Steel Pipe** — Nom 6 in. (152 mm) diam (or smaller) Schedule 10 (or heavier) steel pipe.
 - B. **Iron Pipe** — Nom 6 in. (152 mm) diam (or smaller) cast or ductile iron pipe.
 - C. **Copper Tubing** — Nom 4 in. (102 mm) diam (or smaller) Type L (or heavier) copper tubing.
 - D. **Copper Pipe** — Nom 4 in. (102 mm) diam (or smaller) Regular (or heavier) copper pipe.
4. **Pipe Covering*** — Nom 1 in. (25 mm) thick hollow cylindrical heavy density (min 3.5 pcf (56 kg/cu. meter)) glass fiber units jacketed on the outside with an all-service jacket. Longitudinal joints sealed with metal fasteners or factory applied self-sealing lap tape. Transverse joints secured with metal fasteners or with butt tape supplied with the product. The annular space between pipe covering and steel sleeve shall be min 1/4 in. (6 mm) to max 1-1/2 in. (38 mm).

See **Pipe and Equipment Covering Materials** (BRGU) category in the Building Materials Directory for names of manufacturers. Any pipe covering material meeting the above specifications and bearing the UL Classified Marking with a Flame Spread Index of 25 or less and a Smoke Developed Index of 50 or less may be used.
5. **Firestop System** — The firestop system shall consist of the following:

- A. **Packing Material** — Min 4 in. (102 mm) thickness of min 4 pcf (64 kg/cu. meter) mineral wool batt insulation firmly packed into the opening as a permanent form. Packing material to be recessed from both surfaces of wall to accommodate the required thickness of fill material.
 - B. **Fill, Void or Cavity Materials* - Sealant** — Min 1/2 in. (13 mm) thickness of fill material applied within the annulus, flush with both surfaces of the wall.
- TREMCO INC** — TREMstop Acrylic, TREMstop Intumescent Acrylic, Fyre-Sil, FyreCaulk, or TREMstop IA+

*Bearing the UL Classification Mark



Reprinted from the Online Certifications Directory with permission from Underwriters Laboratories Inc.
Copyright © 2008 Underwriters Laboratories Inc. ®