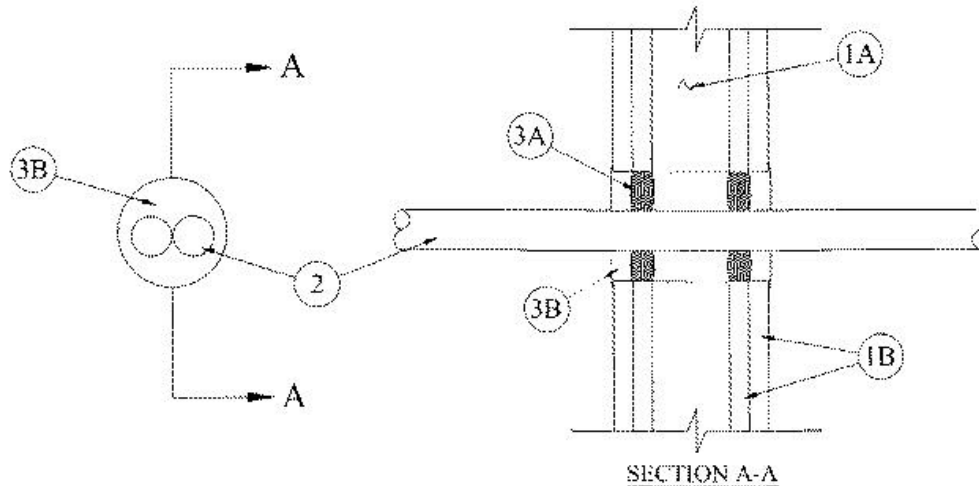


System No. W-L-3145

August 2008

F Rating – 1 and 2 Hr (See Item 1)
T Rating – 1/4 and 1/2 Hr (See Item 1)
(UL/cUL)



1. **Wall Assembly** The 1 or 2 hr fire-rated gypsum wallboard/stud wall assembly shall be constructed of the materials and in the manner specified in the individual U300 or U400 Series Wall and Partition Designs in the UL Fire Resistance Directory and shall include the following construction features:

- A. **Studs** Wall framing may consist of either wood studs or steel channel studs. Wood studs to consist of nom 2 by 4 in. lumber spaced 16 in. OC. Steel studs to be min 2-1/2 in. wide and spaced max 24 in. OC.
- B. **Gypsum Board*** One or two layers of nom 1/2 or 5/8 in. thick gypsum wallboard as specified in the individual Wall and Partition Design. Max diam of opening is 3-1/2 in.

The hourly F Rating of the firestop system is equal to the hourly fire rating of the wall assembly in which it is installed. The T Ratings are 1/4 and 1/2 hr when installed in 1 hr and 2 hr rated walls, respectively.

2. **Cables** One metal-clad cable on two service entrance cables, as described below to be installed either concentrically or eccentrically within the firestop system. Cables to be rigidly supported on both sides of wall assembly. The following types and sizes of cables may be used:

- A. Max four aluminum conductor No. 2/0 AWG (or smaller) aluminum **Metal-Clad Cable+**. Max one metal clad cable within the firestop system. The annular space between the cable and the periphery of opening shall be min 1/4 in. to max 1 in.

ESSEX GROUP INC

- B. Max four aluminum conductor No. 2/0 AWG (or smaller) **Type SER** service entrance cable with cross-linked polyethylene insulation and PVC jacket. Max two cables bundled together within the firestop system. The annular space between the cables and the periphery of opening shall be min 1/2 in. to max 1-1/2 in.

3. **Firestop System** The firestop system shall consist of the following:

- A. **Packing Material** (Optional)—Foam backer rod firmly packed into opening as a permanent form. Packing material to be recessed from both surfaces of wall as required to accommodate the required thickness of fill material.
- B. **Fill, Void or Cavity Material*—(Caulk)** Min 1/2 in. thickness of fill material applied within the annulus, flush with both surfaces of wall. Additional fill material to be installed such that a min 1/16 in. crown is formed around the penetrating item and lapping 3/8 in. beyond the periphery of the opening.

TREMCO INC – TREMstop Intumescent Acrylic, FyreCaulk, or TREMstop IA+

+Bearing the UL Listing Mark

*Bearing the UL Classification Marking



Reprinted from the Online Certifications Directory with permission from Underwriters Laboratories Inc.
Copyright © 2008 Underwriters Laboratories Inc. ®