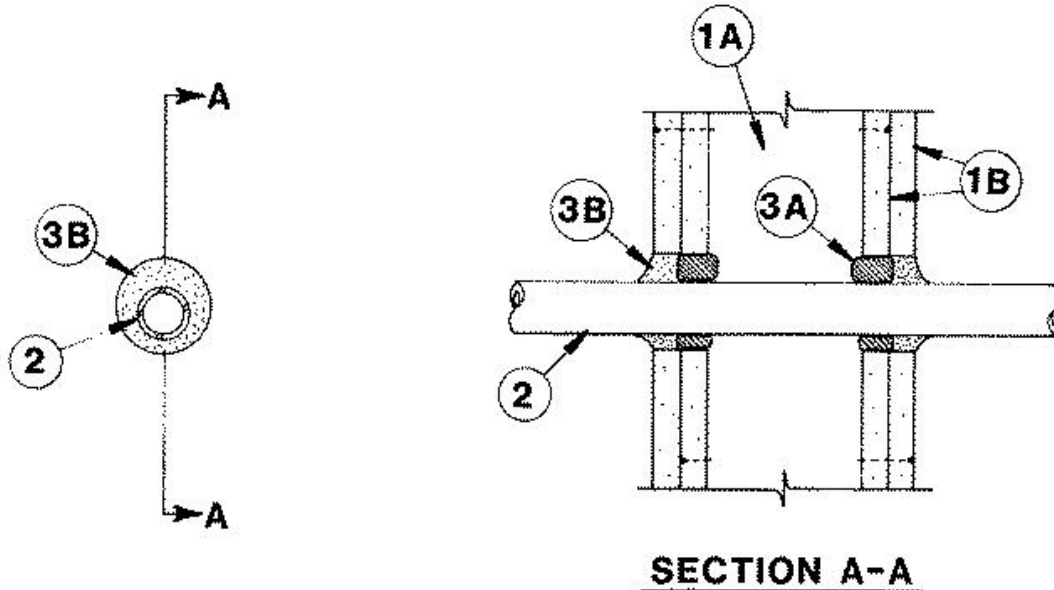


## System No. W-L-3017

January 30, 2004  
(Formerly System No. 373)  
F Rating — 2 Hr  
T Rating — 3/4 Hr  
(UL/cUL)



1. **Wall Assembly** The fire-rated gypsum wallboard/stud wall assembly shall be constructed of the materials and in the manner specified in the individual U300 or U400 Series Wall and Partition Designs in the UL Fire Resistance Directory and shall include the following construction features:
  - A. **Studs** Wall framing may consist of either wood studs or steel channel studs. Wood studs to consist of nom 2 by 4 in. (51 by 102 mm) lumber spaced 16 in. (406 mm) OC. Steel studs to be min 2-1/2 in. (64 mm) wide and spaced max 24 in. (610 mm) OC.
  - B. **Gypsum Board\*** Two layers of nom 5/8 in. (16 mm) thick gypsum wallboard, as specified in the individual Wall and Partition Design. Max diam of opening is 1-5/8 in. (41 mm).
2. **Cable** Max 100 pair No. 24 AWG (or smaller) telephone cable with polyvinyl chloride insulation and jacket. One cable to be installed either concentrically or eccentrically within the firestop system. The annular space shall be min 1/4 in. (6 mm) to max 1/2 in. (13 mm). Cable to be rigidly supported on both sides of wall assembly.
3. **Firestop System** The firestop system shall consist of the following:
  - A. **Packing Material** Min 3/4 in. (19 mm) thickness of min 6 pcf (96 kg/cu meter) ceramic fiber insulation firmly packed into opening as a permanent form. Packing material to be recessed from both surfaces of wall as required to accommodate the required thickness of fill material.
  - B. **Fill, Void or Cavity Material\* — Sealant** Min 1/2 in. (13 mm) thickness of fill material applied within the annulus, flush with both surfaces of wall. Additional fill material to be installed such that a min 1/4 in. (6 mm) crown is formed around the penetrating item.

**TREMCO INC** — Fyre Sil or TREMstop Acrylic Sealant

\*Bearing the UL Classification Mark



Reprinted from the Online Certifications Directory with permission from Underwriters Laboratories Inc.  
Copyright © 2008 Underwriters Laboratories Inc. ®