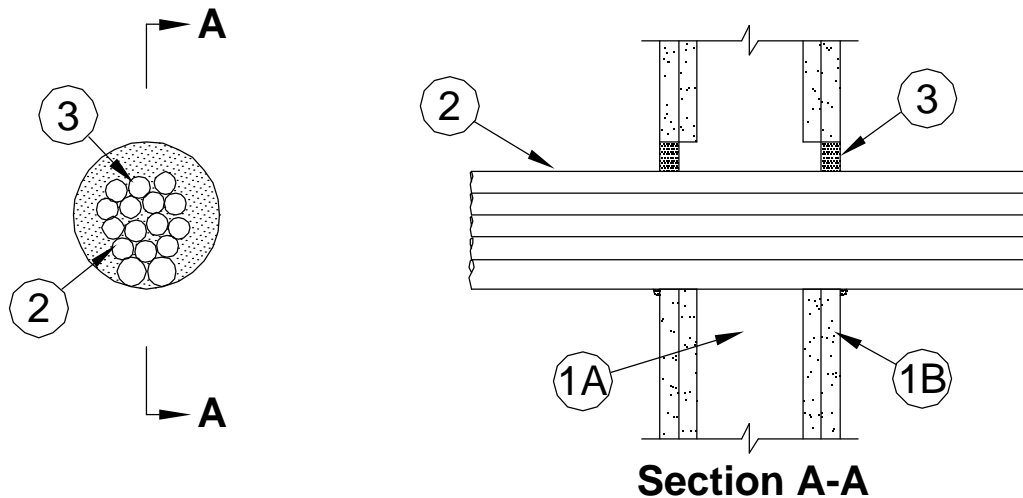


System No. W-L-2463

August 2008

F Ratings — 1 and 2 Hr (See Item 1)

T Ratings — 1 and 2 Hr (See Item 1)
(UL/cUL)



- Wall Assembly** — The 1 or 2 hr fire rated gypsum board/stud wall assembly shall be constructed of the materials and in the manner specified in the individual U300, U400 or V400 Series Wall and Partition Designs in the UL Fire Resistance Directory and shall include the following construction features:
 - Studs** — Wall framing may consist of either wood studs or steel channel studs. Wood studs to consist of nom 2 by 4 in. (51 by 102 mm) lumber spaced 16 in. (406 mm) OC. Steel studs to be min 2-1/2 in. (64 mm) wide and spaced max 24 in. (610 mm) OC.
 - Gypsum Board*** — 5/8 in. (16 mm) thick, 4 ft (1.22 m) wide with square or tapered edges. Thickness, type, number of layers and fasteners as required in the individual Wall and Partition Design. Max diam of opening is 5 in. (127 mm).

The hourly F and T Ratings of the firestop system are equal to the hourly fire rating of the wall assembly in which it is installed.
- Through Penetrant** — Multiple nonmetallic tubing for use in closed (process or supply) piping systems. Max 4 in. (102 mm) diam bundle of tubes in opening, tightly bundled. The annular space between bundle of tubes and periphery of opening shall be min 0 in. (point contact) to max 1 in. (25 mm). Tubing to be rigidly supported on both sides of wall assembly. The following types of tubing may be used:
 - Crosslinked Polyethylene (PEX) Tubing** — Nom 1 in. (25 mm) diam (or smaller) SDR 9 PEX tubing for use in closed (process or supply) piping systems.
- Fill, Void or Cavity Materials* — Caulk** — Min 5/8 in. (16 mm) thickness of fill material applied within annulus, flush with each surface of wall. Min 5/8 in. (16 mm) thickness of fill material applied into interstices of tubes to maximum extent possible, on both sides of wall. Min 1/2 in. (13 mm) diam bead of caulk applied to the tubing/gypsum interface at the point contact location on both sides of wall.

TREMCO INC — TREMstop Intumescent Acrylic, FyreCaulk, or TREMstop IA+

*Bearing the UL Classification Mark



Reprinted from the Online Certifications Directory with permission from Underwriters Laboratories Inc.
Copyright © 2008 Underwriters Laboratories Inc. ®