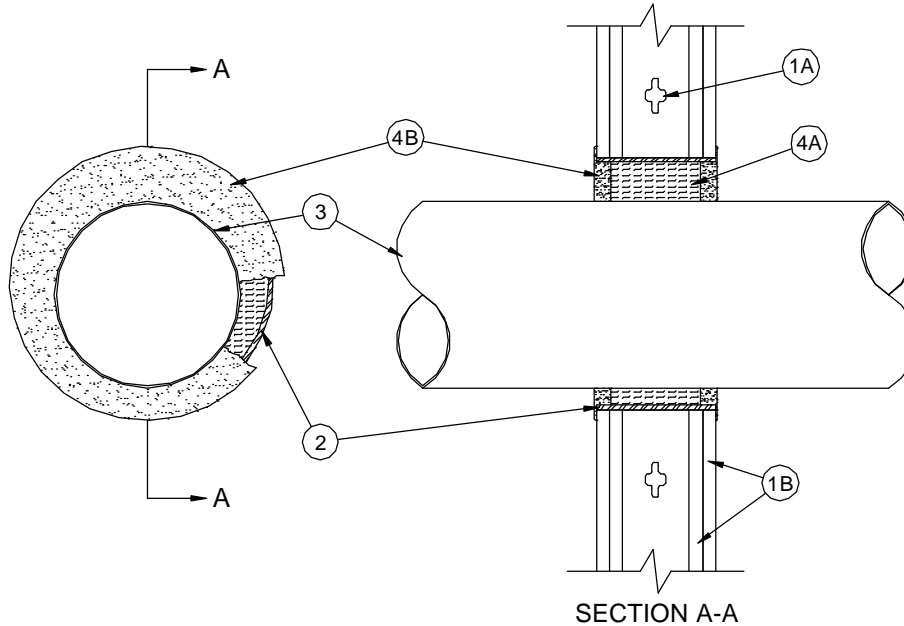


System No. W-L-1306

March 05, 2003
F Rating - 2 Hr
T Rating - 0 Hr
(UL/cUL)



1. **Wall Assembly** — The 2 hr fire-rated gypsum board/stud wall assembly shall be constructed of the materials and in the manner specified in the individual U300 or U400 series Wall and Partition Design in the UL Fire Resistance Directory and shall include the following construction features:
 - A. **Studs** — Wall framing may consist of either wood studs or steel channel studs. Wood studs to consist of nom 2 by 4 in. (51 by 102 mm) lumber spaced 16 in. (406 mm) OC. Steel studs to be min 2-1/2 in. (64 mm) wide steel channel studs spaced max 24 in. (610 mm) OC.
 - B. **Gypsum Board*** — Thickness, type, number of layers and fasteners as required in the individual Wall and Partition Design. Max diam of sleeved opening is 34 in. (864 mm).
2. **Metallic Sleeve** — One of the following metallic sleeves shall be used. Sleeve is to be installed flush with both surfaces of the wall.
 - A. Nom 8 in. (203 mm) diam (or smaller) Schedule 10 (or lighter) steel pipe sleeve friction-fit into wall opening.
 - B. Nom 34 in. (864 mm) diam (or smaller) cylindrical sleeve fabricated from 16 gauge (or lighter) galvanized steel with a min 2 in. (51 mm) lap along the longitudinal seam. Sleeve installed by coiling the sheet steel to a diam smaller than the through opening, inserting the coil into the opening and releasing the coil to let it uncoil against the circular cutouts in the gypsum board layers.
3. **Through Penetrant** — One metallic pipe, tubing or conduit installed either concentrically or eccentrically within the firestop system. The annular space between the penetrant and the sleeve shall be min 9/16 in. to max 1-9/16 in. Pipe, tubing or conduit to be rigidly supported on both sides of wall assembly. The following types and sizes of metallic pipes, tubing or conduit may be used:
 - A. **Steel Pipe** — Nom 30 in. (762 mm) diam (or smaller) Schedule 10 (or heavier) steel pipe.
 - B. **Iron Pipe** — Nom 30 in. (762 mm) diam (or smaller) cast or ductile iron pipe.
 - C. **Copper Tubing** — Nom 6 in. (152 mm) diam (or smaller) Type L (or heavier) copper tubing.
 - D. **Copper Pipe** — Nom 6 in. (152 mm) diam (or smaller) Regular (or heavier) copper pipe.
 - E. **Conduit** — Nom 6 in. (152 mm) diam (or smaller) rigid steel conduit.
 - F. **Conduit** — Nom 4 in. 102 mm) diam (or smaller) steel electrical metallic tubing (EMT).
4. **Firestop System** — The firestop system shall consist of the following:

- A. **Packing Material** — Min 4-1/2 in. (114 mm) thickness of min 4 pcf (64 kg/cu. meter) mineral wool batt insulation firmly packed into the opening as a permanent form, recessed from both surfaces of the wall to accommodate required thickness of fill material.
- B. **Fill, Void or Cavity Materials** — Sealant Min 1/4 in. (6 mm) thickness of fill material applied within annular space with a min 1/16 in. (2 mm) thickness of fill material overlapping the ends of the sleeve and the surfaces of the wall by min 3/8 in. (10 mm) total.

TREMCO INC — Fyre-Sil

*Bearing the UL Classification Mark



Reprinted from the Online Certifications Directory with permission from Underwriters Laboratories Inc.
Copyright © 2008 Underwriters Laboratories Inc. ®