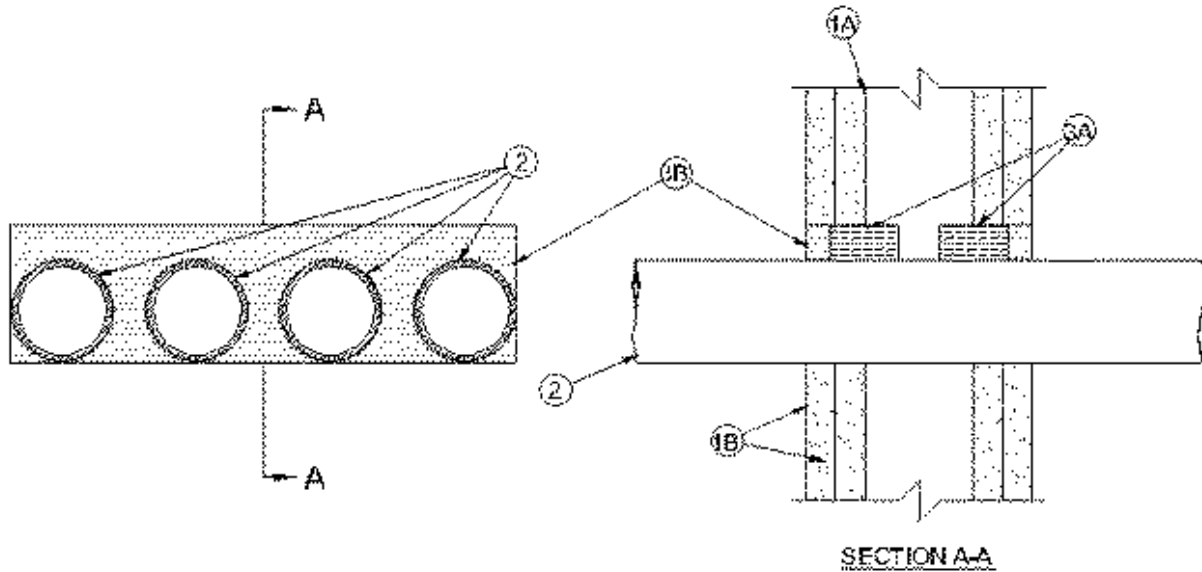


System No. W-L-1302

August 2008

F Rating – 1 & 2 Hr (See Item 1)

T Rating – 1/2 Hr
(UL/cUL)



- Wall Assembly** – The 1 or 2 hr fire-rated gypsum wallboard/stud wall assembly shall be constructed of the materials and in the manner described in the individual U300 or U400 Series Wall or Partition Design in the UL Fire Resistance Directory and shall include the following construction features:
 - Studs** – Wall framing may consist of either wood studs or steel channel studs. Wood studs to consist of nom 2 by 4 in. (51 by 102 mm) lumber spaced 16 in. (406 mm) OC. Steel studs to be min 2-1/2 in. (64 mm) wide and spaced max 24 in (610 mm) OC.
 - Gypsum Board*** – One or two layers of nom 5/8 in. (16 mm) thick gypsum board, as specified in the individual Wall and Partition Design. Max area of opening is 33 sq in. (213 sq cm) with max dimensions of 11 in. (279 mm).
- Through Penetrants** – One or more pipes, conduits or tubing to be installed within the opening. The space between pipes, conduits or tubing shall be a nom 1/2 in. (13 mm). The space between pipes, conduits or tubing and periphery of opening shall be min 0 in. (point contact) to max 3/4 in. (19 mm). Pipe, conduit or tubing to be rigidly supported on both sides of wall assembly. The following types and sizes of pipes, conduits or tubing may be used:
 - Steel Pipe** – Nom 2 in. (51 mm) diam (or smaller) Schedule 10 (or heavier) steel pipe.
 - Iron Pipe** – Nom 2 in. (51 mm) diam (or smaller) cast or ductile iron pipe.
 - Conduit** – Nom 2 in. (51 mm) diam (or smaller) steel electrical metallic tubing or rigid steel conduit.
- Firestop System** – The firestop system shall consist of the following:
 - Packing Material** – Min 2-1/2 in. (64 mm) thickness of min 4 pcf (64 kg/cu meter) mineral wool batt insulation compressed and firmly packed into opening as a permanent form. Packing material recessed from both surfaces of wall as required to accommodate the required thickness of fill material.
 - Fill Void or Cavity Materials* – Sealant** – Min 1/2 in. (13 mm) thickness of fill material applied within annulus, flush with both surfaces of wall.

TREMCO INC – TREMstop Acrylic, TREMstop Intumescent Acrylic, Fyre-Sil, Fyre-Caulk or TREMstop IA+

*Bearing the UL Classification Mark



Reprinted from the Online Certifications Directory with permission from Underwriters Laboratories Inc.
Copyright © 2008 Underwriters Laboratories Inc. ®

Tremco Commercial Sealants & Waterproofing

3735 Green Road, Beachwood, OH 44122 // Phone: 216.292.5000 // 800.321.7906
220 Wicksteed Avenue, Toronto, ON M4H 1G7 // Phone: 416.421.3300 // 800.363.3213
1451 Jacobson Avenue, Ashland OH 44805 // Phone: 419.289.2050 // 800.321.6357