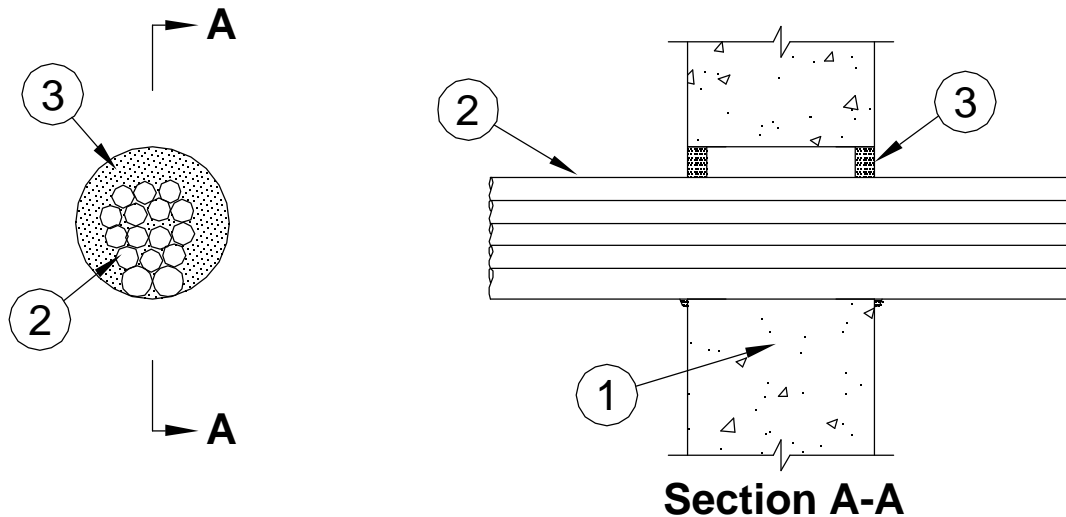


## System No. W-J-2203

August 2008  
F Rating — 2 Hr  
T Rating — 2 Hr  
(UL/cUL)



1. **Wall Assembly** — Min 5 in. thick reinforced lightweight or normal weight (100-150 pcf or 1600-2400 kg/m<sup>3</sup>) concrete. Wall may also be constructed of any UL Classified **Concrete Blocks**\*. Max diam of opening is 5 in. (127 mm).  
See **Concrete Blocks** (CAZT) category in the Fire Resistance Directory for names of manufacturers.
2. **Through Penetrant** — Multiple nonmetallic tubing for use in closed (process or supply) piping systems. Max 4 in. (102 mm) diam bundle of tubes in opening, tightly bundled. The annular space between bundle of tubes and periphery of opening shall be min 0 in. (point contact) to max 1 in. (25 mm). Tubing to be rigidly supported on both sides of wall assembly. The following types of tubing may be used:
  - A. **Crosslinked Polyethylene (PEX) Tubing** — Nom 1 in. (25 mm) diam (or smaller) SDR 9 PEX tubing for use in closed (process or supply) piping systems.
3. **Fill, Void or Cavity Materials\* — Caulk** — Min 5/8 in. (16 mm) thickness of fill material applied within annulus, flush with each surface of wall. Min 5/8 in. (16 mm) thickness of fill material applied into interstices of tubes to maximum extent possible, on both sides of wall. Min 1/2 in. (13 mm) diam bead of caulk applied to the tubing/gypsum interface at the point contact location on both sides of wall.

TREMCO INC — TREMstop Intumescent Acrylic, FyreCaulk, or TREMstop IA+

\*Bearing the UL Classification Mark



Reprinted from the Online Certifications Directory with permission from Underwriters Laboratories Inc.  
Copyright © 2008 Underwriters Laboratories Inc. ®