

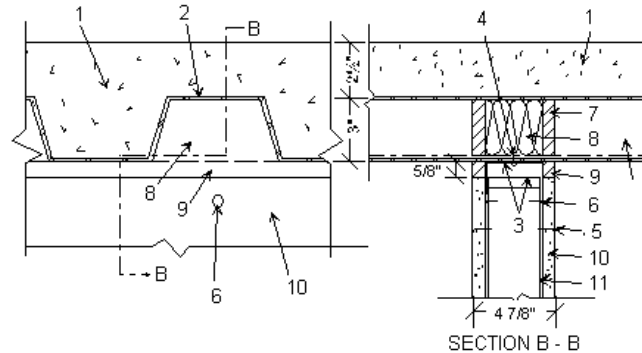
## Design No. TL/PV 60-01

January 22, 2003

Vertical (Wall), F & T Rating - 1 Hour

Test Pressure Differential - 7.5 Pa (0.03 In. of Water) Minimum

Method of Firestopping Fluted Openings and a Relief Joint Below a Steel Deck



1. 2-1/2" thick minimum, normal weight concrete.
2. Verco W3, 18 gauge, steel decking or equivalent.
3. 3-5/8" x 0.036", galvanized steel 'U' runners.
4. 1/2" long, #7, self-tapping framing screws, 24" on center.
5. 1/2" long, #7, self-tapping framing screws through lower 'U' runner to studs.
6. 1" drywall screws, 12" on center, to steel studs, starting 2" below 'U' runner.
7. 3.5 pcf mineral wool insulation compressed to 7 pcf, cut and fitted in fluted openings above upper 'U' runner.
8. 1/2" thick, TREMstop Acrylic sealant over insulation, bridging steel deck to relief joint sealant.
9. 5/8" deep by 5/8" high by continuous TREMstop Acrylic sealant in relief joint.
10. 5/8" thick, Type X Gypsum Board.
11. 3-5/8" x 0.019" galvanized steel 'C' studs, 24" on center, maximum.

\*Component bearing the Warnock Hersey Certification Mark

\*Verco W3 steel floor and form units: max 3 in. deep galv fluted floor units.



Reprinted from the Online Certifications Directory with permission from Underwriters Laboratories of Canada LTD.  
Copyright © 2008 Underwriters Laboratories of Canada LTD ®