

Design No. TL/PV 120-04

January 22, 2003

Vertical (Wall)

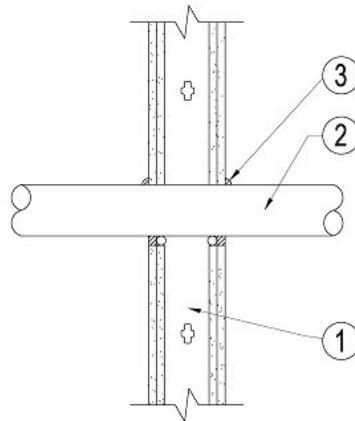
Ratings - F-2 Hour

FT-40 Minutes

FTH-0 Minutes

Annular Space: 0" (Point Contact) to 1/4"

Test Pressure Differential - 2.5 Pa (0.01" of Water) Minimum



1. **Wall Assembly:** 2 Hour rated gypsum wallboard assembly. Maximum opening 5".
2. **Penetrating Items:** max. 4" Schedule 10 or heavier steel or cast iron pipe.
3. **Firestop Sealant:**

Option 1: 1/2" thickness of Tremco FYRE-SIL installed over polyethylene backer rod, on both sides of wall assembly.

Option 2: 1/4" thickness of Tremco TREMstop IA installed over polyethylene backer rod, on both sides of wall assembly.



Reproduced courtesy of Intertek Testing Services. Copyright © 2008 Intertek Testing Services Inc.