

## Design No. TL/PV 120-01

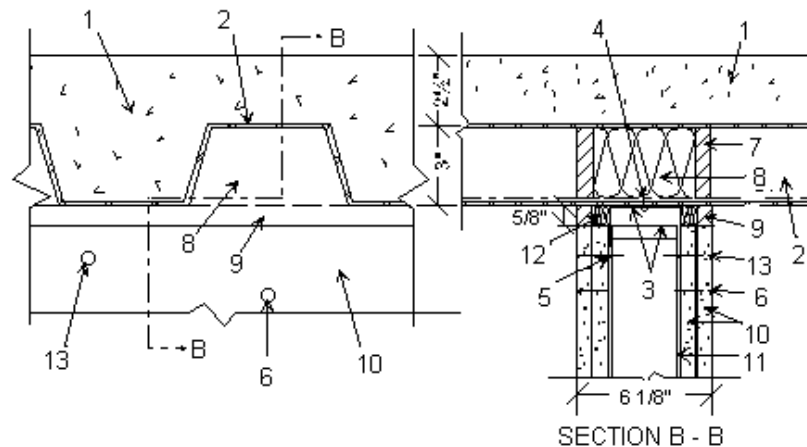
January 22, 2003

Vertical (Wall)

F & T Rating - 2 Hours

Test Pressure Differential - 7.5 Pa (0.03 In. of Water) Minimum

Method of Firestopping Fluted Openings and a Relief Joint Below a Steel Deck



1. 2-1/2" thick minimum, normal weight concrete.
2. Verco W3, 18 gauge, steel decking or equivalent.
3. 3-5/8" x 0.036", galvanized steel 'U' runners
4. 1/2" long, #7, self-tapping framing screws, 24" on center.
5. 1/2" long, #7, self-tapping framing screws through lower 'U' runner to studs.
6. 1" drywall screws, 12" on center, to steel studs, starting 2" below 'U' runner.
7. 3.5 pcf mineral wool insulation compressed to 7 pcf, cut and fitted in fluted openings above upper 'U' runner.
8. 1/2" thick, TREMstop Acrylic sealant over insulation, bridging steel deck to relief joint 4 sealant
9. 1/2" deep by 5/8" high by continuous TREMstop Acrylic sealant in relief joint.
10. 5/8" thick, Type x Gypsum Board.
11. 3-5/8" x 0.019" galvanized steel 'C' studs, 24" on center, maximum.
12. 3.5 pcf mineral wool insulation, compressed to 7 pcf, continuous in 3/4" deep by 5/8" high relief area above gypsum board.
13. 1-5/8" drywall screws, 12" on center, to lower 'U' runner.

\*Component bearing the Warnock Hersey Certification Mark



Reproduced courtesy of Intertek Testing Services. Copyright © 2008 Intertek Testing Services Inc.