

Design No. TL/PH 60-01

January 22, 2003

Horizontal (Floor)

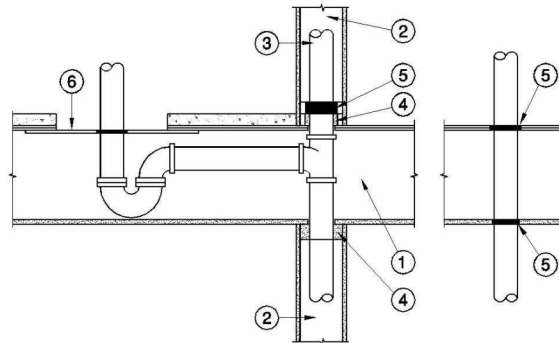
Ratings: CAN/ULC-S115

1 Hour F, FT

(For T Ratings See Item 3)

Test Pressure Differential - 50 Pa (0.20" of Water) Minimum

Penetrations In a Wall	Max. Opening Size	Through-Penetrations	Max. Opening size
Max. 2" PVC & CPVC Sch 40	4"	1" PEX	2"
Max. 1-1/2" PVC & CPVC Sch 40	3"	Electrical Wires (5)	2-1/4"
Max. 1" PEX	2"	2" Copper	3" x 3"
Electrical Wires (5)	1-1/2"	1-1/2" EMT	3"
4" Steel or Cast Iron	5-1/2" x 6"	1-1/2" Copper	3"



- Floor** - 1 hour rated floor/ceiling assembly framed with nominal 2" x 10" joists.
- Wall** - Rated or nonrated wall assembly framed with nominal 2" x 4" wood/steel studs faced with gypsum wallboard.
- Penetrating Items** - See table above. T Rating for non-metallic penetrations - 1 hour, except CPVC - T Rating 45 minutes. T Rating for metallic penetrations - 60 minutes. Electrical bundle consists of up to 5 Loomex 14/2 wires or 4 Loomex 14/2 wires and a 1" diameter TEK cable.
- Firestop Caulk - Tremco FYRE-SIL** applied to a depth of 5/8" where penetration passes through floor or ceiling membrane, or through header or sole plates of wall assembly.
- Firestop Caulk - Tremco FYRE-SIL** applied to a depth of 5/8" where penetration passes through floor or ceiling membrane, or through header or sole plates of wall assembly.
- Gypsum Wallboard** - Seal for 10" x 10" opening, 5/8" Type X screwed to underside of plywood. Maximum 1-1/2" PVC or CPVC penetration in a maximum 2-1/2" hole. Annular space around pipe sealed with FYRE-SIL to depth of the membrane.



Reproduced courtesy of Intertek Testing Services. Copyright © 2008 Intertek Testing Services Inc.

Tremco Commercial Sealants & Waterproofing

3735 Green Road, Beachwood, OH 44122 // Phone: 216.292.5000 // 800.321.7906

220 Wicksteed Avenue, Toronto, ON M4H 1G7 // Phone: 416.421.3300 // 800.363.3213

1451 Jacobson Avenue, Ashland OH 44805 // Phone: 419.289.2050 // 800.321.6357