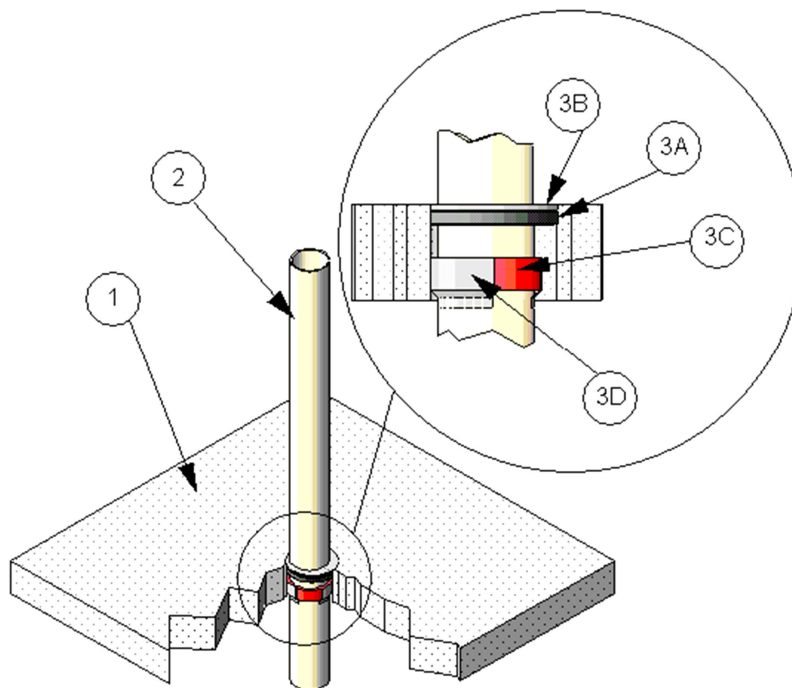


## TL/PH 120-05

F-Rating - 2 hr  
T- Rating - 2 hr

Nom Pipe Dia (in.)	Wrap Strip Size Thick x Width (in.)	Penetrating Item Material (Sch 40)	Sealant Type	Dia. of Opening (in.)	Annular Space (in.)	
					Min	Max
2	1/8 x 1-1/2	PVC, Cellular Core ABS	TREMstop Fyre-Sil	3	1/8	1/2
3	1/4 x 1-1/2	Cellular Core ABS	TREMstop Fyre-Sil	4	1/4	1/4
4	3/8 x 1-1/2	PVC, Cellular Core ABS	TREMstop Fyre-Sil	6	3/8	1-1/8
4	3/8 x 1-1/2	PVC	TREMstop IA+	6	3/8	1-1/8



1. **FLOOR/CEILING ASSEMBLY** - Use a two-hour fire-rated floor/ceiling assembly consisting of min. 4-1/2 in. thick normal weight (100-150 pcf) reinforced concrete. Create a through opening with a dia. corresponding to the pipe dia.
2. **PENETRATING ITEM** - Refer to the Chart for Penetrating Item type and size. All pipe thicknesses are Sch 40 and are intended for use in vented systems. Eccentrically or concentrically position in the opening made in the Floor/Ceiling Assembly (Item 1) for the desired pipe and establish the annular space between the Penetrating Item the edge of the opening according to the Chart.
3. **FILL, VOID OR CAVITY MATERIAL** - Apply the following materials to the annular space between the Floor/ceiling assembly (Item 1) and the Penetrating Item (Item 2):
  - A. Backer Rod - Install 3/4 in. diameter polyethylene backer rod 1/4 in. nominally from the top of the Floor/Ceiling Assembly (Item 1) cut to fit around Penetrating Item (Item 2) and to fill annular space.
  - B. Sealant - Apply a min. 1/4 in. depth of sealant fill material to the 1/4 in. void above the Backer Rod (Item 3A) in the annular space between the Floor/Ceiling Assembly (Item 1) and the Penetrating Item (Item 2).

**CERTIFIED MANUFACTURER:** Tremco Inc.

**CERTIFIED PRODUCT:** Sealant

**MODEL:** TREMstop FYRE-SIL or TREMstop IA+ (see Chart for applications)

- C. Wrapstrip -Continuously wrap Wrapstrip around the outer circumference of the Penetrating Item (Item 2) once and slide down into the annular space and hold in place with a layer of Aluminum Foil Tape (Item 3D). Recess the bottom edge of the wrap strip max. ½ in. from the bottom of the Floor/Ceiling Assembly (Item 1).

**CERTIFIED MANUFACTURER: Tremco Inc.**

**CERTIFIED PRODUCT: Wrapstrip**

**MODEL: TREMstop SS (see Chart for applications)**

Aluminum Foil Tape - Place 2-1/2-inch wide Aluminum Foil Tape around the Wrapstrip (Item 3C) aligning the top of the tape with the top of the Wrapstrip (Item 3). Compress the Aluminum Foil Tape against the Wrapstrip (Item 3C). Position the Wrapstrip (Item 3C) in place, then press the excess Aluminum Foil Tape that overlaps the wrapstrip against Penetrating Item (Item 2).



Reproduced courtesy of Intertek Testing Services. Copyright © 2008 Intertek Testing Services Inc.