

System No. SP375

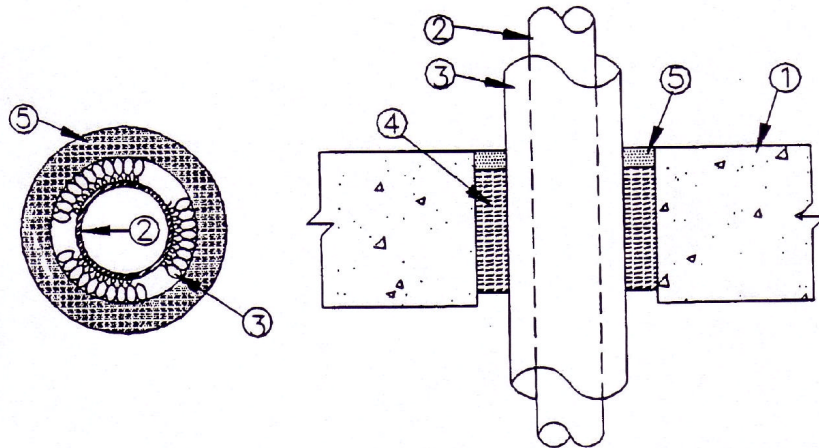
June 12, 2003

(For Horizontal or Vertical Separations)

F and FH Ratings - 2 h

FT and FTH Ratings - 1-1/2 h

(ULC)



1. **Floor or Wall Assembly** - Minimum depth or thickness as necessary for required grade of fire separation but not less than 115 mm. Low-density or normal-density (1600-2400±50 kg/m³) concrete floor or wall, or nominal 200 mm concrete block wall. Maximum size of opening 178 mm. For opening in concrete block wall, concrete or mortar shall be used to create a solid surround to the opening.
2. **Pipe** - Nominal 80 mm OD (or smaller), Schedule 40 (or heavier) copper, steel pipe, or EMT. A maximum of one pipe centered within the opening to create maximum annulus of 24 mm.
3. **Pipe Insulation** - Nominal 25 mm thick ULC labeled mineral wool pipe insulation of minimum 56 kg/m³ density jacketed on the outside with foil-scrim-kraft. Joints sealed with metal fasteners or SSL tape supplied with the product. No pipe insulation joints to be located closer than 50 mm to concrete slab surfaces.
4. **Batts and Blankets** - Mineral wool insulation with minimum density of 48 kg/m³ compressed at least 25% and friction fitted into opening to a minimum depth of 89 mm and recessed 6.4 mm below surface of slab.
5. **Firestop System Components** - (Guide No. 40 U19.13). "Fyre-Sil Silicone Sealant" caulk applied on top of insulation (Item 4) to a minimum depth of 6.4 mm flush with top of slab for horizontal separations or symmetrically to both sides of assembly for vertical separation.

TREMCO LTD.



Reprinted from the Online Certifications Directory with permission from Underwriters Laboratories of Canada LTD.
Copyright © 2008 Underwriters Laboratories of Canada LTD ®

Tremco Commercial Sealants & Waterproofing

3735 Green Road, Beachwood, OH 44122 // Phone: 216.292.5000 // 800.321.7906
220 Wicksteed Avenue, Toronto, ON M4H 1G7 // Phone: 416.421.3300 // 800.363.3213
1451 Jacobson Avenue, Ashland OH 44805 // Phone: 419.289.2050 // 800.321.6357