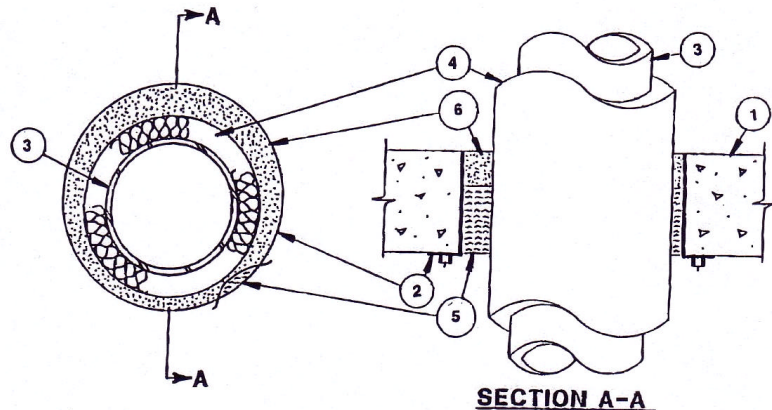


System No. SP294

June 27, 2003
(For Horizontal Separation)
F Rating - 4 h
FH Rating - 3 h
FT and FTH Ratings - 1 h
(ULC)



1. **Floor Assembly** - Minimum 114 mm thick low-density or normal-density concrete. Maximum size of opening 254 mm diameter.
2. **Steel Sleeve** (optional) - Nominal 254 mm diameter (or smaller) with minimum 64 mm wide retainer tabs, fabricated from minimum 0.6 mm thick galvanized sheet in accordance with instruction sheets supplied by sealant manufacturer. Steel sleeve secured to floor with minimum 6.4 mm diameter by 38 mm long steel expansion bolts or equivalent with steel nuts and washers. Minimum of four anchors to be used located at corners of the sleeve.
3. **Steel Pipe** - Nominal 152 mm diameter (or smaller) Schedule 40 (or heavier) steel pipe installed minimum 6.4 mm from edge of opening. Pipe to be wrapped with Pipe Insulation (Item 4).
4. **Pipe Insulation** - Nominal 25 mm thick ULC labeled pipe insulation with minimum 56 kg/m³ density. Pipe insulation secured to pipe with steel hose clamp located 13 mm below top surface of floor or both sides of wall to compress pipe insulation to nominal 6.4 mm thickness.
5. **Forming Material** - Ceramic fibre insulation with minimum 96 kg/m³ density compressed within the opening to a minimum depth of 76 mm and recessed 38 mm from top of slab. Insulation to be compressed minimum 33%.
6. **Firestop System Component** - XHJZC (Guide No. 40 U19.13). Type "Fyre-Sil SL" sealant applied to top of insulation to a depth of 38 mm minimum flush with top of slab.

TREMCO LTD.



Reprinted from the Online Certifications Directory with permission from Underwriters Laboratories of Canada LTD.
Copyright © 2008 Underwriters Laboratories of Canada LTD. ®

Tremco Commercial Sealants & Waterproofing

3735 Green Road, Beachwood, OH 44122 // Phone: 216.292.5000 // 800.321.7906
220 Wicksteed Avenue, Toronto, ON M4H 1G7 // Phone: 416.421.3300 // 800.363.3213
1451 Jacobson Avenue, Ashland OH 44805 // Phone: 419.289.2050 // 800.321.6357