

## System No. SP256

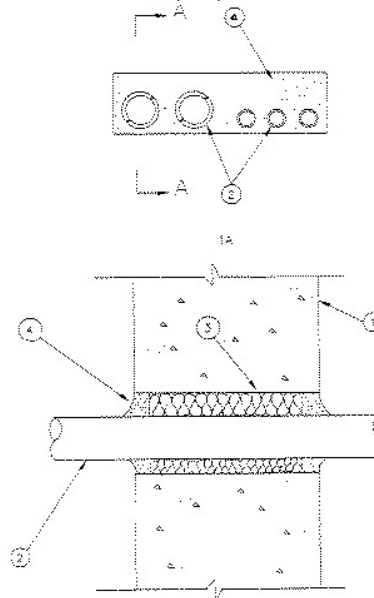
March 19, 2003

(For Vertical or Horizontal Separations)

F and FH Ratings - 2 h

FT and FTH Ratings - 0 h

(ULC)



1. **Floor or Wall Assembly** – Minimum 114 mm thick low-density, or normal-density (1600 to 2400 kg/m<sup>3</sup>) concrete floor or wall, or nominal 200 mm concrete block wall. Maximum size of opening 280 mm by 83 mm diameter. For opening in concrete block wall, concrete or mortar shall be used to create a solid surround to the opening.
2. **Pipes and Conduits** – The following types and sizes of metallic pipes or conduits may be used:
  - A. Nominal 50 mm OD (or smaller) Schedule 5 (or heavier) steel pipe.
  - B. Nominal 50 mm OD (or smaller) rigid steel conduit.
  - C. Nominal 50 mm OD (or smaller) electrical metallic tubing.A maximum of five penetrating items may be installed within the opening. Maximum of two of the pipes or conduits can have a nominal diameter greater than 25 mm. The maximum dimension of the opening shall be 280 mm wide by 83 mm high. The annular space between the pipes or conduits shall be minimum 13 mm with minimum 6 mm between pipe and edge of opening.
3. **Batts and Blankets** – Ceramic fibre insulation having a minimum density of 96 kg/m<sup>3</sup> firmly packed within the opening to a minimum depth of 102 mm and recessed minimum 13 mm from top of floor or both surfaces of wall assembly.
4. **Firestop System Component** – (Guide No. 40 U19.13). Type "Fyre-Sil" sealant installed on top of insulation (Item 3) to a minimum depth of 13 mm flush with top of floor slab or on both surfaces of wall assembly. Additional sealant shall be applied such that a minimum 6 mm thick crown is formed around the pipes and conduits.

TREMCO LTD



Reprinted from the Online Certifications Directory with permission from Underwriters Laboratories of Canada LTD.  
Copyright © 2008 Underwriters Laboratories of Canada LTD ®

### Tremco Commercial Sealants & Waterproofing

3735 Green Road, Beachwood, OH 44122 // Phone: 216.292.5000 // 800.321.7906  
220 Wicksteed Avenue, Toronto, ON M4H 1G7 // Phone: 416.421.3300 // 800.363.3213  
1451 Jacobson Avenue, Ashland OH 44805 // Phone: 419.289.2050 // 800.321.6357