

System No. SP254

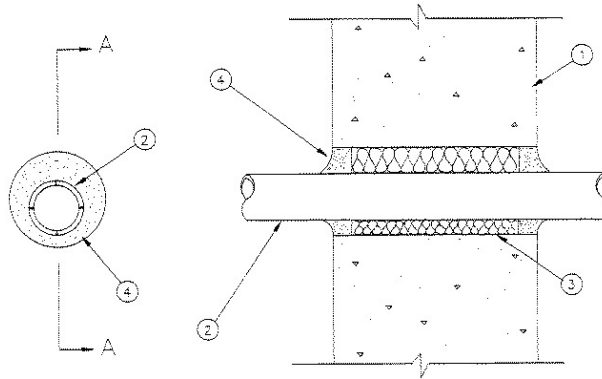
March 18, 2003

(For Vertical or Horizontal Separations)

F Rating - 2 h

FH Rating - 0 & 2 h (See Item 2)

FT and FTH Ratings - 0 & 3/4 h (See Item 2)
(ULC)



1. **Floor or Wall Assembly** – Minimum 114 mm thick low-density, or normal-density (1600 to 2400 kg/m³) concrete floor or wall, or nominal 200 mm concrete block wall. Maximum size of opening 70 mm diameter. For opening in concrete block wall, concrete or mortar shall be used to create a solid surround to the opening.
2. **Pipes and Cables** –
 - A. Nominal 25 mm OD (or smaller) trade size copper pipe. The annular space between the copper pipe and the periphery of the opening shall be a minimum of 6 mm. A maximum of one pipe per opening.
 - B. Maximum 100 pair No. 24 AWG (or smaller) telephone cable with PVC insulation and jacket. A maximum of one cable per opening installed a minimum of 6 mm from the periphery of the opening.
 - C. 7 Conductor No. 12 AWG (or smaller) cables installed a minimum of 13 mm from the periphery of the opening. A maximum of five cables per opening.

Type of Penetrating Item	Ratings, h		
	FT	FH	FTH
Pipe, Item 2a	0	2	0
Cable, Item 2b	3/4	3	3/4
Cable(s), Item 2c	0	0	0

3. **Batts and Blankets** – Ceramic fibre insulation having a minimum density of 96 kg/m³ firmly packed within the opening to a depth of 76 mm minimum and recessed 13 mm from top of floor or both surfaces of wall assembly.
4. **Packing Material** – Firestop System Component - (Guide No. 40 U19.13). Type "Fyre-Sil" sealant installed on top of ceramic fibre insulation (Item 3) to a depth of minimum 13 mm flush with top of floor slab or on both sides of wall assembly. Additional sealant shall be applied such that a minimum 6 mm thick crown is formed around the circumference of the penetrating item(s).

TREMCO LTD.



Reprinted from the Online Certifications Directory with permission from Underwriters Laboratories of Canada LTD.
Copyright © 2008 Underwriters Laboratories of Canada LTD ®

Tremco Commercial Sealants & Waterproofing

3735 Green Road, Beachwood, OH 44122 // Phone: 216.292.5000 // 800.321.7906
220 Wicksteed Avenue, Toronto, ON M4H 1G7 // Phone: 416.421.3300 // 800.363.3213
1451 Jacobson Avenue, Ashland OH 44805 // Phone: 419.289.2050 // 800.321.6357