

System No. SP236

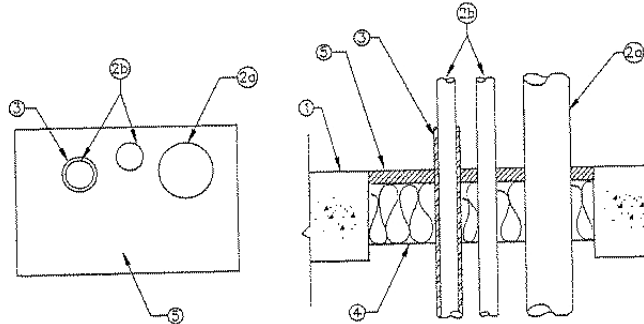
March 11, 2003

(For Vertical or Horizontal Separations)

F Rating - 2 h

FT Rating - 0 & 1 h (See Item 5)

FH and FTH Ratings - 0 h
(ULC)



- Floor or Wall** — Minimum depth or thickness as necessary for required grade of fire separation but not less than 115 mm. Normal-density (2400±50 kg/m³) concrete floor or wall, or nominal 200 mm concrete block wall. Maximum size of opening 305 mm by 610 mm.

For opening in concrete block wall, concrete or mortar shall be used to create a solid surround to the opening.

- Pipes** — All pipes to be reliably supported above through-opening. Minimum distance of 13 mm between pipes and edge of opening.
 - Steel Pipe** — 220 mm OD maximum and 8.4 mm minimum wall thickness.
 - Copper Pipe** — 106 mm OD maximum and 1.3 mm minimum wall thickness.
 - Galvanized Steel Pipe** — 115 mm OD maximum and 2.1 mm minimum wall thickness.
- Pipe Insulation** — (optional) - Copper Pipe (Item 2b) to be wrapped with minimum 25 mm thick ULC labelled mineral wool pipe insulation (Guide No. 40 U8.15.13). No pipe insulation joints to be located closer than 50 mm to concrete floor surfaces.
- Firestop System Component** — (Guide No. 40 U19.13). Type "RXL-Safe" mineral wool insulation compressed into the opening to a depth of 89 mm. Grain of insulation to be perpendicular to plane of floor or wall. Material to be compressed at least 25% and located minimum 6.4 mm below surface of floor slab or recessed 6.4 mm from wall surfaces.

ROXUL INC

- Batts and Blankets** — ULC labelled mineral wool insulation with minimum 48 kg/m³ density compressed into opening to a depth of 89 mm. Grain of insulation to be perpendicular to plane of floor or wall. Material to be compressed at least 25% and located minimum 6.4 mm below surface of floor slab or recessed 6.4 mm below surface of floor slab or recessed 6.4 mm from wall surfaces.
- Firestop System Components** — (Guide No. 40 U19.13).
 - Type "Fyre-Sil" sealant applied over insulation (Item 4) to a minimum depth of 6.4 mm. Sealant to be applied to both sides of the system for vertical separations.
 - For horizontal separations only, Type "Fyre-Sil S.L." applied over insulation (Item 4) to a minimum depth of 6.4 mm flush with the surface of the floor slab.

Type of Penetrating Item	FT Ratings, h
No penetrating item	1
Pipe, Item 2a, 2b or 2c	0
Pipe, Item 2b insulated	0

TREMCO LTD



Reprinted from the Online Certifications Directory with permission from Underwriters Laboratories of Canada LTD.
Copyright © 2008 Underwriters Laboratories of Canada LTD ®