

System No. SP235

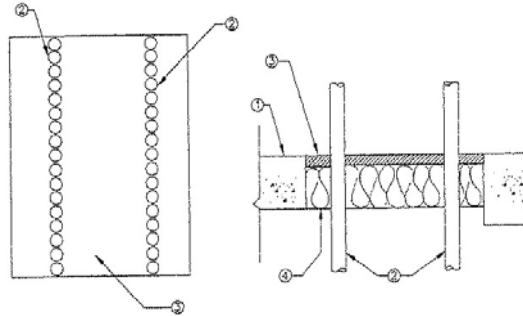
March 11, 2003

(For Horizontal or Vertical Separations)

F Rating - 4 h

FH Rating - 3 h

FT and FTH Ratings - 0 & 1 h (See Item 3)
(ULC)



1. **Floor or Wall** – Minimum depth or thickness as necessary for required grade of fire separation but not less than 114 mm. Normal-density (2400±50 kg/m³) concrete floor or wall, or nominal 200 mm concrete block wall. Maximum size of opening 444 mm by 444 mm. For opening in concrete block wall, concrete or mortar shall be used to create a solid surround to the opening.
2. **Cables** – All penetrating items to be reliably supported above through-opening. Maximum cable loading not to exceed 40%.
 - A. Individual "No. 4 AWG/3 XLPE TECK 90HL FT4 (-40°C) FIREX-11 1000 ((V" cables. Maintain minimum space of 25 mm between adjacent cables and perimeter of opening.
 - B. Individual "No. 4 AWG/7 XLPE TECK 90HL FT4 (-40°C) FIREX-11 600 V" cables. Maintain minimum space of 20 mm between adjacent cables and perimeter of opening.
 - C. Individual "350 MCM XLPE TECK 90HL FT4 (-40°C) FIREX-11 1000 V" cables. Maintain minimum space of 50 mm between adjacent cables and perimeter of opening.
 - D. Individual "No. 12 AWG/3C XLPE TECK 90HL FT4 (-40°C) FIREX-11 600 V" cables. Maintain minimum space of 20 mm between adjacent cables and perimeter of opening.
3. **Firestop System Components** – (Guide No. 40 U19.13).
 - A. Type "Fyre-Sil" sealant applied over insulation (Item 4) to a minimum depth of 6.4 mm. Sealant to be applied to both sides of the system for vertical separations.
 - B. For horizontal separations only, Type "Fyre-Sil S.L." sealant applied over insulation (Item 4) to a minimum depth of 6.4 mm flush with the surface of the slab.

Type of Penetrating Item	FT and FTH Ratings, h
No penetrating item	1
Item 2	0

TREMCO LTD

- 4A. **Firestop System Component** – (Guide No. 40 U19.13). Type "RXL-Safe" mineral wool insulation compressed into opening with grain of insulation perpendicular to plane of floor or wall. Material to be compressed at least 25%. Top surface of insulation to be located 6.4 mm below surface of floor slab or recessed 6.4 mm from wall surfaces. Minimum depth 89 mm.

ROXUL INC

OR

- 4B. **Batts and Blankets** – ULC labelled mineral wool insulation with minimum 48 kg/m³ density compressed into opening with grain of insulation perpendicular to plane of floor or wall. Material to be compressed at least 25%. Top surface of insulation to be located 6.4 mm below surface of floor slab or recessed 6.4 mm from wall surfaces. Minimum depth 89 mm.



Reprinted from the Online Certifications Directory with permission from Underwriters Laboratories of Canada LTD.
Copyright © 2008 Underwriters Laboratories of Canada LTD ®