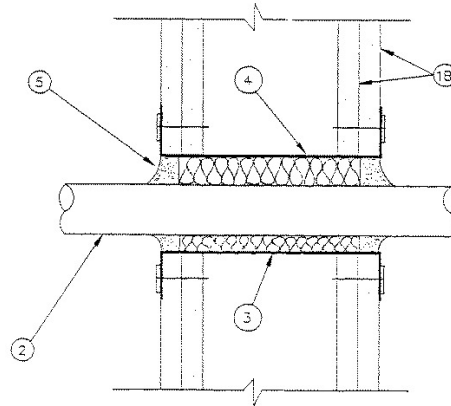
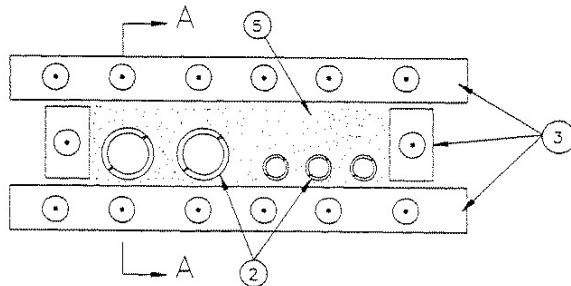


System No. SP233

March 11, 2003
For Vertical Separation
F and FH Ratings - 2 h
FT and FTH Ratings - 0 h
(ULC)



1. **Wall Assembly** – The fire-rated gypsum wallboard and stud wall assembly shall be constructed of the materials and in the manner described in the individual wall or partition design in the ULC List of Equipment and Materials, Fire Resistance, and shall include the following construction features:
 - A. **Studs** – Wall framing consisting of minimum 63 mm wide by 31 mm deep channel steel studs with 63 mm lip on each flange tip formed from minimum 0.6 mm thick galvanized steel. Steel studs cut 19 mm less in length than the height of the assembly and secured to channel-shaped galvanized steel floor and ceiling tracks with 13 mm long self-drilling, self-tapping screws on both sides of studs. Steel stud spacing not to exceed 600 mm OC. Additional studs shall be installed horizontally at maximum 1370 mm OC and attached to the vertical studs by means of 13 mm long self-drilling, self-tapping steel screws.
 - B. **Gypsum Wallboard** – Minimum 15.9 mm thick gypsum wallboard installed vertically in two layers on both sides of stud framing with joints of each layer centred over studs. Inner layer joints on opposite sides of wall staggered one stud. Outer layer joints staggered one stud from inner joints.
2. **Pipes and Conduits** – The following types and sizes of metallic pipes or conduits may be used:
 - A. Nominal 50 mm OD (or smaller) Schedule 5 (or heavier) steel pipe.
 - B. Nominal 50 mm OD (or smaller) rigid steel conduit.
 - C. Nominal 50 mm OD (or smaller) electrical metallic tubing.

A maximum of five penetrating items may be installed within the opening. Maximum of two of the pipes or conduits can have a nominal diameter greater than 25 mm. The maximum dimension of the opening shall be 280 mm wide by 83 mm high. The annular space between the pipes or conduits and the periphery of the opening may range from a minimum of 6 mm to a maximum of 19 mm. The annular space between the pipes and conduits shall be minimum 13 mm.
3. **Steel Sleeve** – Nominal 127 mm long rectangular shaped sleeve with minimum 50 mm wide retainer tabs fabricated from minimum 0.5 mm thick galvanized sheet steel in accordance with the installation instructions supplied by sealant manufacturer. Steel sleeve secured to both sides of wall by means of 38 mm long Type G steel screws and fender washers spaced 70 mm OC.
4. **Batts and Blankets** – Ceramic fibre insulation having a minimum density of 96 kg/m³ firmly packed within the opening to a minimum depth of 102 mm and recessed minimum 13 mm from both surfaces of wall assembly.
5. **Firestop System Component** – (Guide No. 40 U19.13). Type "Fyre-Sil" sealant installed on top of insulation (Item 4) to a minimum depth of 13 mm on both surfaces of wall assembly. Additional sealant shall be applied such that a minimum 6 mm thick crown is formed around the pipes and conduits.

TREMCO LTD.



Reprinted from the Online Certifications Directory with permission from Underwriters Laboratories of Canada LTD.
Copyright © 2008 Underwriters Laboratories of Canada LTD ®

Tremco Commercial Sealants & Waterproofing

3735 Green Road, Beachwood, OH 44122 // Phone: 216.292.5000 // 800.321.7906
220 Wicksteed Avenue, Toronto, ON M4H 1G7 // Phone: 416.421.3300 // 800.363.3213
1451 Jacobson Avenue, Ashland OH 44805 // Phone: 419.289.2050 // 800.321.6357